



Transformer



1M000000

X0

X0

Catalog Number

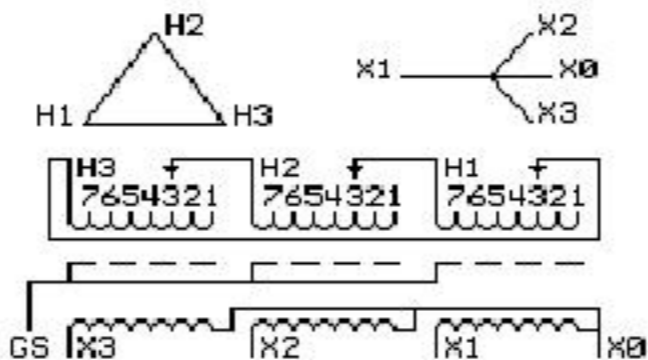
TYPE QL

9T83W3491G03

15.0 KVA 60 HZ 3 PH 6.2 % IMP

40 C AMB. 150 C RISE 220 C SYSTEM IS-19C

Note: Design is based on 15.00KVA & 150C Rise 5.8% Imp.



DWEST2 15.000480C
+2,-4 2.50%)
208Y/120

0911

NN9T83W3481G03
N9T18W4317G11T
TRANSFORMER N
ON-SIN K=20H0
0

NET WGT

240 LB

108.9 Kg

9T40G00C7

57785

XV371

NOG

092215

INSPECTION

&

FINAL TEST

N539!

520

9T83W3481G03 9T83W3481G03

83348103

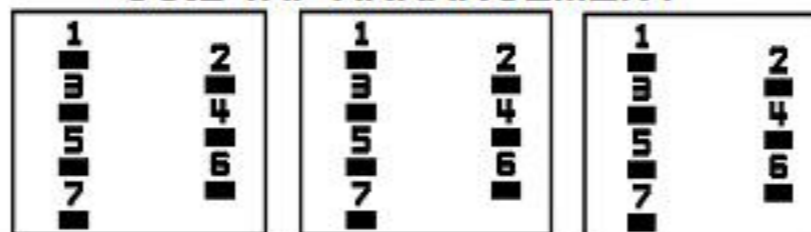
150922JWP 303B401MWP071 YNNN 40150

220IS-19COL 3 60AL100150Y15.00 6.2 24

0 480(+2,-4 2.5

ELECTROSTATIC GROUND SHIELD IN EACH PHASE

COIL TAP ARRANGEMENT



LISTED 769G

Assembled in Mexico

ENCLOSURE TYPE 2 (IP30). RAINPROOF TYPE 3R ENCLOSURE (IP32) WHEN PROVIDED SHIELD 9T18W4317G11

SUITABLE FOR NONSINUSOIDAL CURRENT LOAD WITH K-FACTOR NOT TO EXCEED 30

BEFORE HANDLING, INSTALLING AND OPERATING, SEE INSTRUCTION 475A667AAP001

Outline: 303B401MWP071

ALUMINUM CONDUCTOR

PRIMARY: 10 KV BIL

SECONDARY: 10 KV BIL

X3 - X2 - X1 - X0

- H3 - H2 - H1

IN ACCORDANCE WITH NEC SECTION 450-9, ALLOW AT LEAST SIX INCHES

CLEARANCE FOR VENTILATION. CHECK ADDITIONAL NEC AND LOCAL CODES.

Note: Standard



2M000000



3M000000

X3 - X2 - X1 - X0

- H3 - H2 - H1

X3 - X2 - X1 - X0

- H3 - H2 - H1