



# Transformer



\*1M000000\*

Catalog Number

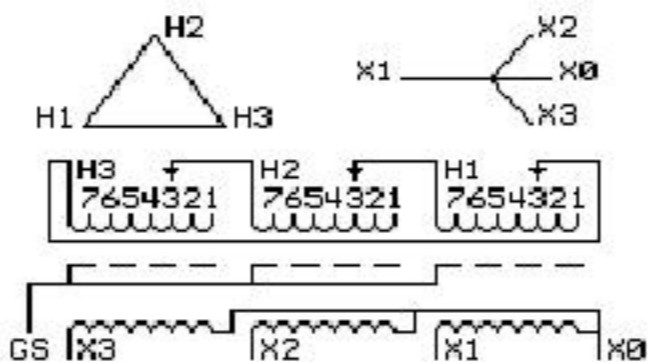
TYPE QL

## 9T83W3494G03

75.0 KVA    60 HZ    3 PH 3.7 % IMP

40 C AMB.    150 C RISE    220 C SYSTEM    IS-19C

Note: Design is based on 112.5KVA & 150C Rise 6.4% Imp.



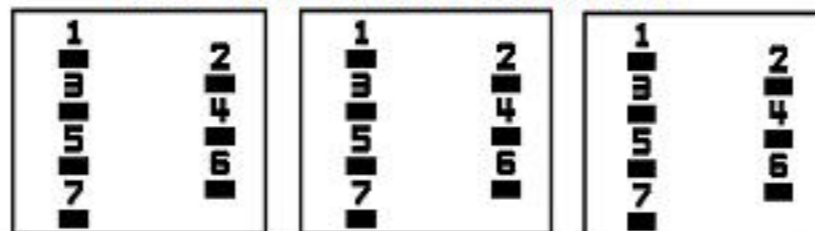
JUMPER CONNECTION	
TAP	VOLTS
1	504
2	490
3	480
4	466
5	456
6	442
7	432

NET WGT  
765 LB  
347.0 Kg  
9T40G00C7  
55092  
XV375  
NOG  
072115

INSPECTION  
&  
FINAL TEST  
N530!

PRIMARY (H)    480 VOLTS (LINE-LINE)  
SECONDARY (X)    208 VOLTS (LINE-LINE)  
                          120 VOLTS (LINE-NEUTRAL)

### COIL TAP ARRANGEMENT



ELECTROSTATIC GROUND SHIELD IN EACH PHASE

ENCLOSURE TYPE 2 (IP30). RAINPROOF TYPE 3R ENCLOSURE (IP32) WHEN PROVIDED SHIELD 9T18W4317G06

SUITABLE FOR NONSINUSOIDAL CURRENT LOAD WITH K-FACTOR NOT TO EXCEED 30

BEFORE HANDLING, INSTALLING AND OPERATING, SEE INSTRUCTION 475A667AAP001

Outline: 303B401MWP075

ALUMINUM CONDUCTOR

PRIMARY: 10 KV BIL

SECONDARY: 10 KV BIL

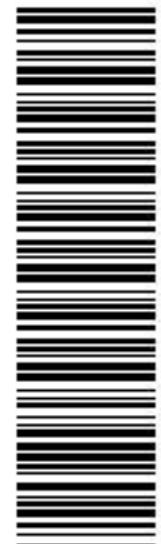
Assembled in Mexico

X3 - X2 - X1 - -  
- H3 - H2 - H1

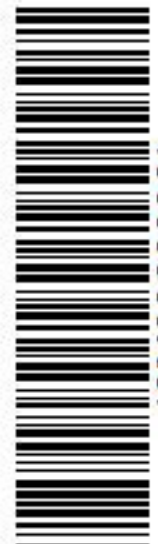
Note: X0 Terminal at the bottom

IN ACCORDANCE WITH NEC SECTION 450-9, ALLOW AT LEAST SIX INCHES  
CLEARANCE FOR VENTILATION. CHECK ADDITIONAL NEC AND LOCAL CODES.

X3 - X2 - X1 -  
- H3 - H2 - H1  
X3 - X2 - X1 -  
- H3 - H2 - H1  
X0



\*2M000000\*



\*3M000000\*