



# Transformer



\*1M000000\*

Catalog Number

TYPE QL

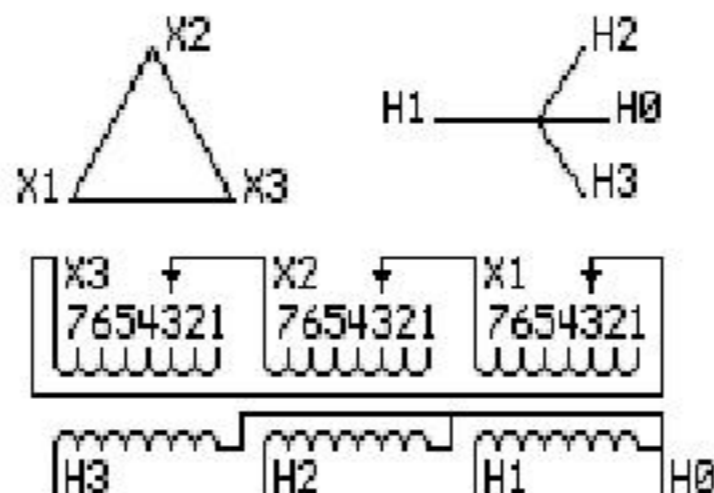
9T83W3804

75.0 KVA 60 HZ 3 PH 5.1 % IMP

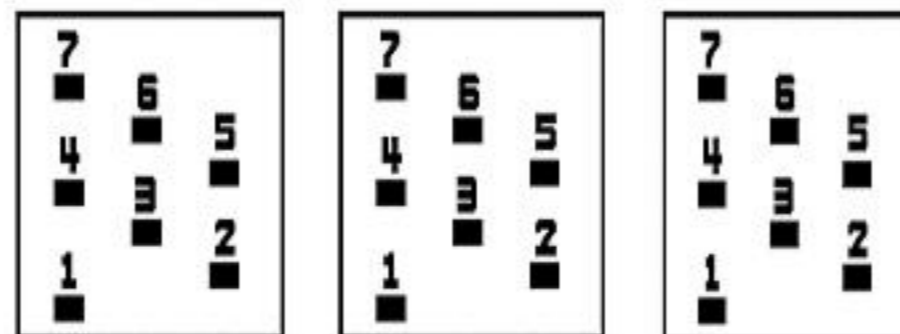
40 C AMB. 150 C RISE 220 C SYSTEM IS-19C

Note: Design is based on 75.00KVA & 150C Rise 5.1% Imp.

PRIMARY (X) 208 VOLTS (LINE-LINE)  
SECONDARY (H) 480 VOLTS (LINE-LINE)  
277 VOLTS (LINE-NEUTRAL)



### COIL TAP ARRANGEMENT



JUMPER CONNECTION	
TAP	VOLTS
1	219
2	212
3	208
4	204
5	197
6	193
7	186

NET WGT  
620 LB  
281.2 Kg  
9T40G0007  
55644  
KV374  
NOG  
092415

INSPECTION  
&  
FINAL TEST  
N539!



LISTED 769G

Assembled in Mexico

ENCLOSURE TYPE 2 (IP30). RAINPROOF TYPE 3R ENCLOSURE (IP32) WHEN PROVIDED SHIELD 9T18W4317G06

BEFORE HANDLING, INSTALLING AND OPERATING, SEE INSTRUCTION 475A667AAP001  
ALUMINUM CONDUCTOR PRIMARY: 10 KV BIL SECONDARY: 10 KV BIL

Outline: 303B401MWP074

IN ACCORDANCE WITH NEC SECTION 450-9, ALLOW AT LEAST SIX INCHES  
CLEARANCE FOR VENTILATION. CHECK ADDITIONAL NEC AND LOCAL CODES.

H3 - H2 - H1 - -  
- X3 - X2 - X1

Note: H0 Terminal at the bottom

H3 - H2 - H1 -  
- X3 - X2 - X1  
H3 - H2 - H1 -  
- X3 - X2 - X1



\*2M000000\*



\*3M000000\*