



# Transformer



\*1M000000\*

Catalog Number

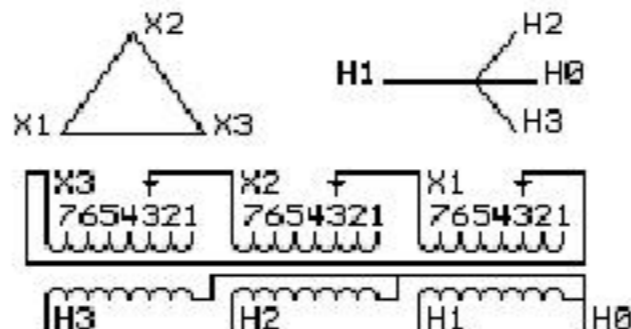
TYPE QL

## 9T83W3805

112.5 KVA 60 HZ 3 PH 5.4 % IMP

40 C AMB. 150 C RISE 220 C SYSTEM IS-19C

Note: Design is based on 112.5KVA & 150C Rise 5.4% Imp.



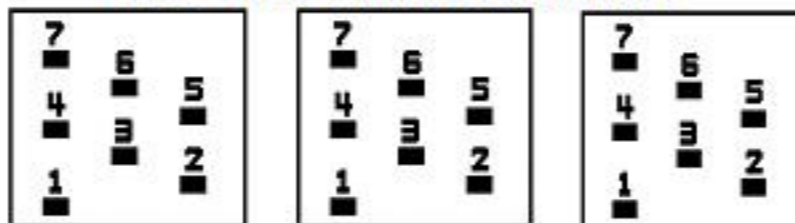
JUMPER CONNECTION	
TAP	VOLTS
1	218
2	213
3	208
4	203
5	198
6	193
7	188

NET WGT  
765 LB  
347.0 Kg  
9T40G00C7  
55074  
XV375  
NOG  
072115

INSPECTION  
&  
FINAL TEST  
N530!

PRIMARY (X) 208 VOLTS (LINE-LINE)  
SECONDARY (H) 480 VOLTS (LINE-LINE)  
277 VOLTS (LINE-NEUTRAL)

### COIL TAP ARRANGEMENT



ENCLOSURE TYPE 2 (IP30). RAINPROOF TYPE 3R ENCLOSURE (IP32) WHEN PROVIDED SHIELD 9T18W4317G06

Assembled in Mexico

BEFORE HANDLING, INSTALLING AND OPERATING, SEE INSTRUCTION 475A667AAP001  
ALUMINUM CONDUCTOR PRIMARY: 10 KV BIL SECONDARY: 10 KV BIL

Outline: 303B401MWP075

IN ACCORDANCE WITH NEC SECTION 450-9, ALLOW AT LEAST SIX INCHES CLEARANCE FOR VENTILATION. CHECK ADDITIONAL NEC AND LOCAL CODES.

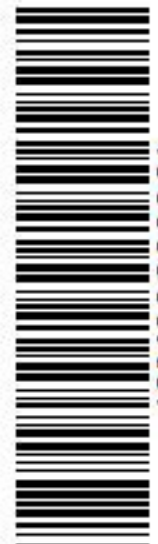
H3 - H2 - H1 - -  
- X3 - X2 - X1

Note: H0 Terminal at the bottom

H3 - H2 - H1 -  
- X3 - X2 - X1  
H3 - H2 - H1 -  
- X3 - X2 - X1  
H0



\*2M000000\*



\*3M000000\*