



Transformer

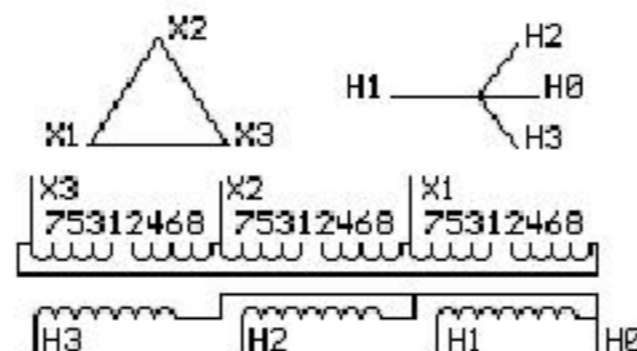
Catalog Number 9T83W3808

300.0 KVA 60 HZ 3 PH 6.6 % IMP

40 C AMB. 150 C RISE 220 C SYSTEM IS-19C Type: QL

Note: Design is based on 300.0KVA & 150C Rise 6.6% Imp.

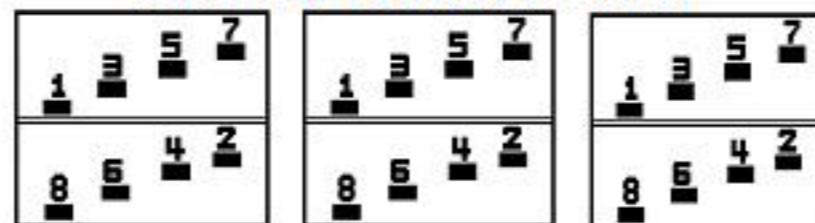
PRIMARY (X)	208 VOLTS (LINE-LINE)
SECONDARY (H)	480 VOLTS (LINE-LINE)
	277 VOLTS (LINE-NEUTRAL)



JUMPER CONNECTION

TAP	VOLTS
1-2	218
2-3	213
3-4	208
4-5	203
5-6	198
6-7	192
7-8	187

COIL TAP ARRANGEMENT



NET WGT 2016 LB 914.5 Kg

072115	N530!	YF378
	55284	NOG



ENCLOSURE TYPE 2 (IP30). RAINPROOF TYPE 3R ENCLOSURE (IP32) WHEN PROVIDED SHIELD 9T18W4322G88

BEFORE HANDLING, INSTALLING AND OPERATING, SEE INSTRUCTION 475A667AAP001
ALUMINUM CONDUCTOR PRIMARY: 10 KV BIL SECONDARY: 10 KV BIL

IN ACCORDANCE WITH NEC SECTION 450-9, ALLOW AT LEAST SIX INCHES CLEARANCE FOR VENTILATION. CHECK ADDITIONAL NEC AND LOCAL CODES.



Outline: 303B919MWP178
Assembled in Mexico

INSPECTION & FINAL TEST
N530!