



Transformer



1M0000000

Catalog Number

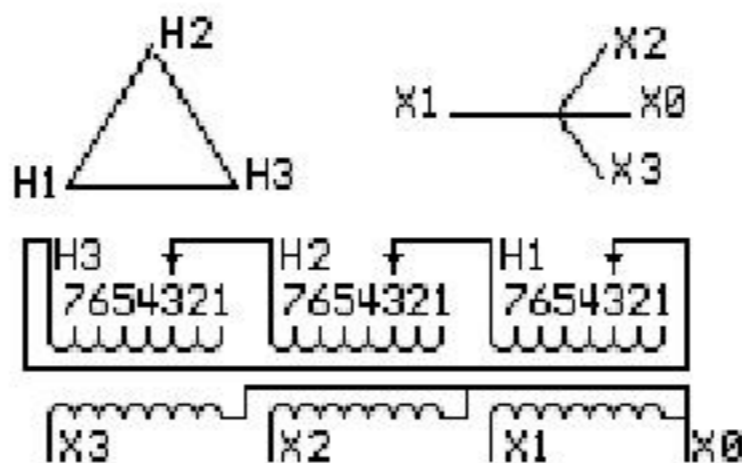
TYPE QL

9T83W3813

45.0 KVA 60 HZ 3 PH 5.9 % IMP

40 C AMB. 150 C RISE 220 C SYSTEM IS-19C

Note: Design is based on 45.00KVA & 150C Rise 5.9% Imp.



JUMPER CONNECTION	
TAP	VOLTS
1	252
2	246
3	240
4	234
5	229
6	223
7	217

NET WGT

415 LB

188.2 Kg

9T40G0007

45286

KV373

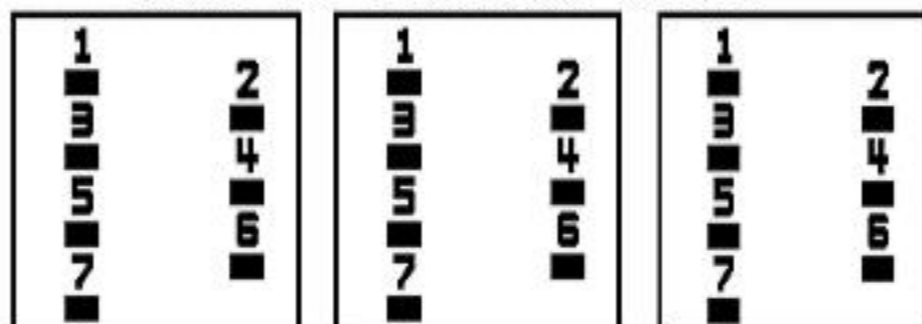
NOG

112515

INSPECTION & FINAL TEST N548!

PRIMARY (H) 240 VOLTS (LINE-LINE)
 SECONDARY (X) 208 VOLTS (LINE-LINE)
 120 VOLTS (LINE-NEUTRAL)

COIL TAP ARRANGEMENT



ENCLOSURE TYPE 2 (IP30). RAINPROOF TYPE 3R ENCLOSURE (IP32) WHEN PROVIDED SHIELD 9T18Y4317G05

Assembled in Mexico

BEFORE HANDLING, INSTALLING AND OPERATING, SEE INSTRUCTION 475A667AAP001

Outline: 303B401AAP073

ALUMINUM CONDUCTOR

PRIMARY: 10 KV BIL

SECONDARY: 10 KV BIL

IN ACCORDANCE WITH NEC SECTION 450-9, ALLOW AT LEAST SIX INCHES CLEARANCE FOR VENTILATION. CHECK ADDITIONAL NEC AND LOCAL CODES.

X3 - X2 - X1 - -
 - H3 - H2 - H1

Note: X0 Terminal at the bottom

X3 - X2 - X1 -
 - H3 - H2 - H1
 X3 - X2 - X1 -
 - H3 - H2 - H1
 X0



2M0000000



3M0000000