



Transformer



1M000000

X0

X0

Catalog Number

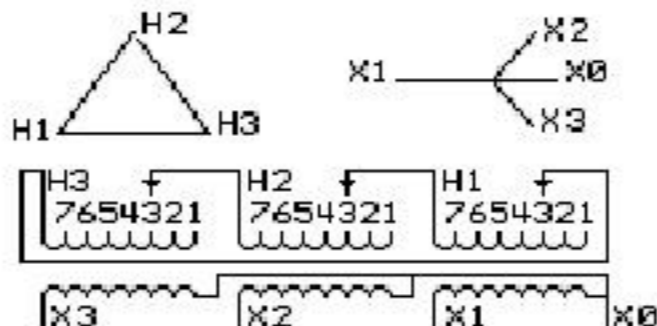
TYPE QL

9T83W3864

50.0 KVA 60 HZ 3 PH 3.4 % IMP

40 C AMB. 150 C RISE 220 C SYSTEM IS-19C

Note: Design is based on 75.00KVA & 150C Rise 5.5% Imp.



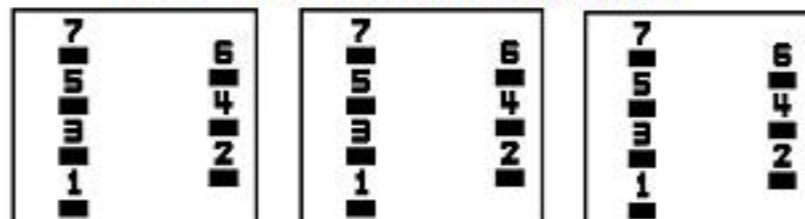
JUMPER CONNECTION TAP	VOLTS
1	503
2	493
3	480
4	467
5	457
6	443
7	433

NET WGT
545 LB
247.2 Kg
9T40G00C7
55512
R374A
NOG
081715

INSPECTION
&
FINAL TEST
N534!

PRIMARY (H) 480 VOLTS (LINE-LINE)
SECONDARY (X) 208 VOLTS (LINE-LINE)
120 VOLTS (LINE-NEUTRAL)

COIL TAP ARRANGEMENT



ENCLOSURE TYPE 2 (IP30). RAINPROOF TYPE 3R ENCLOSURE (IP32) WHEN PROVIDED SHIELD 9T18W4317G06

Assembled in Mexico

BEFORE HANDLING, INSTALLING AND OPERATING, SEE INSTRUCTION 475A667AAP001
ALUMINUM CONDUCTOR PRIMARY: 10 KV BIL SECONDARY: 10 KV BIL

Outline: 303B401MWP074

IN ACCORDANCE WITH NEC SECTION 450-9, ALLOW AT LEAST SIX INCHES CLEARANCE FOR VENTILATION. CHECK ADDITIONAL NEC AND LOCAL CODES.

X3 - X2 - X1 - X0
- H3 - H2 - H1

Note: Standard



2M000000



3M000000

X3

- H3

- H2

- H1

X3

- H3

- H2

- H1