



Transformer



1M0000000

X0

X0

Catalog Number

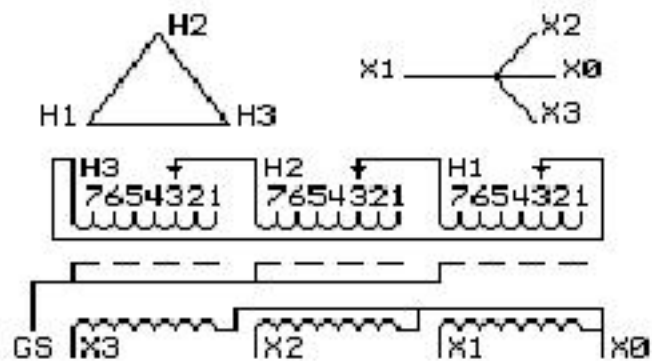
TYPE QL

9T83W3871G03

15.0 KVA 60 HZ 3 PH 5.8 % IMP

40 C AMB. 150 C RISE 220 C SYSTEM IS-19C

Note: Design is based on 15.00KVA & 150C Rise 5.8% Imp.



DWEST2 11.000480C
+2,-4 2.50%)
208Y/120

NET WGT

240 LB

108.9 Kg

9T40G00C7

57785

XV371

NOG

092215

0911
NN9T83W3870G83
N9T18W4317G11T
TRANSFORMER E
ENERGY-NOG H0
0

520

INSPECTION
&
FINAL TEST
N539!

X1 -

H1 -

X1 -

H1 -

X2 -

H2 -

X2 -

H2 -

X3 -

H3 -

X3 -

H3 -

9T83W3870G839T83W3870G83

83387083

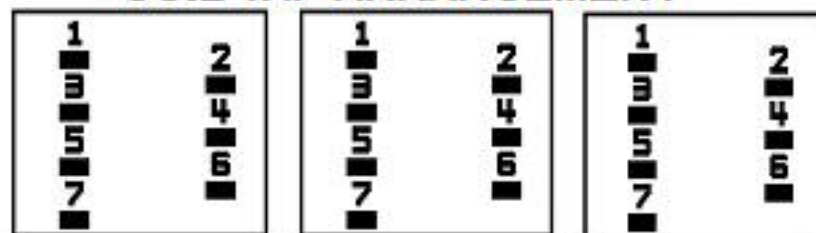
150922KKE 303B401MWP071 YNNN 40 80

220IS-19COL 3 60AL100150Y11.00 3.8 24

0 480(+2,-4 2.5

ELECTROSTATIC GROUND SHIELD IN EACH PHASE

COIL TAP ARRANGEMENT



ENCLOSURE TYPE 2 (IP30). RAINPROOF TYPE 3R ENCLOSURE (IP32) WHEN PROVIDED SHIELD 9T18W4317G11

Assembled in Mexico

BEFORE HANDLING, INSTALLING AND OPERATING, SEE INSTRUCTION 475A667AAP001

Outline: 303B401MWP071

ALUMINUM CONDUCTOR

PRIMARY: 10 KV BIL

SECONDARY: 10 KV BIL

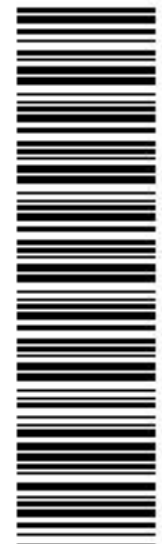
IN ACCORDANCE WITH NEC SECTION 450-9, ALLOW AT LEAST SIX INCHES

CLEARANCE FOR VENTILATION. CHECK ADDITIONAL NEC AND LOCAL CODES.

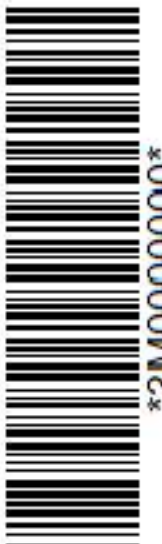
X3 - X2 - X1 - X0

- H3 - H2 - H1

Note: Standard



2M0000000



3M0000000