



# Transformer



\*1M000000\*

Catalog Number

TYPE QL

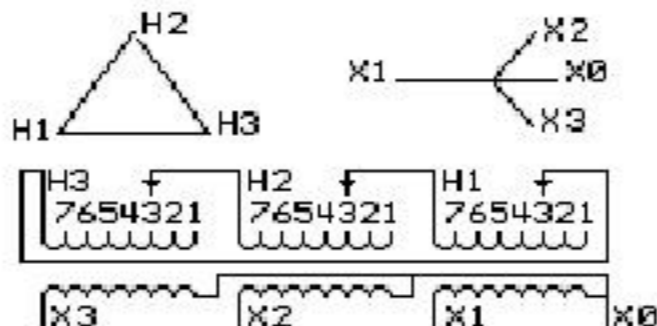
## 9T83W3871G15

15.0 KVA    60 HZ    3 PH 5.5 % IMP

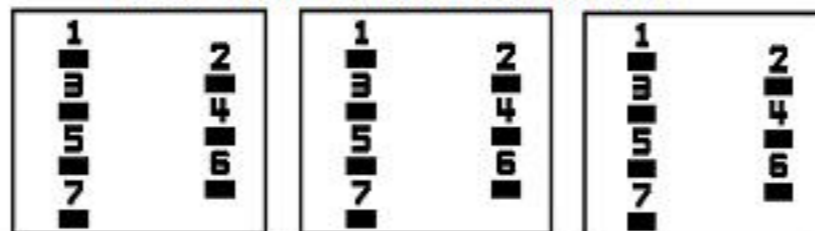
40 C AMB.    115 C RISE    220 C SYSTEM    IS-19C

Note: Design is based on 15.00KVA & 150C Rise 5.5% Imp.

PRIMARY (H)	480 VOLTS (LINE-LINE)
SECONDARY (X)	208 VOLTS (LINE-LINE)
	120 VOLTS (LINE-NEUTRAL)



### COIL TAP ARRANGEMENT



JUMPER CONNECTION	
TAP	VOLTS
1	504
2	491
3	480
4	469
5	456
6	444
7	431

NET WGT  
180 LB  
81.6 Kg  
9T40G00C7  
55504  
Y371A  
NOG  
081715

INSPECTION  
&  
FINAL TEST  
N534!



ENCLOSURE TYPE 2 (IP30). RAINPROOF TYPE 3R ENCLOSURE (IP32) WHEN PROVIDED SHIELD 9T18W4317G11

BEFORE HANDLING, INSTALLING AND OPERATING, SEE INSTRUCTION 475A667AAP001  
ALUMINUM CONDUCTOR    PRIMARY: 10 KV BIL    SECONDARY: 10 KV BIL

Outline: 303B401MWP071

IN ACCORDANCE WITH NEC SECTION 450-9, ALLOW AT LEAST SIX INCHES CLEARANCE FOR VENTILATION. CHECK ADDITIONAL NEC AND LOCAL CODES.

Assembled in Mexico

X3 - X2 - X1 - X0  
- H3 - H2 - H1

Note: Standard

X0  
-  
X1  
-  
X2  
-  
X3

- H1  
- H2  
- H3

X0  
-  
X1  
-  
X2  
-  
X3

- H1  
- H2  
- H3



\*2M000000\*



\*3M000000\*