



# Transformer



\*1M0000000\*

Catalog Number

**9T83W3871G62**

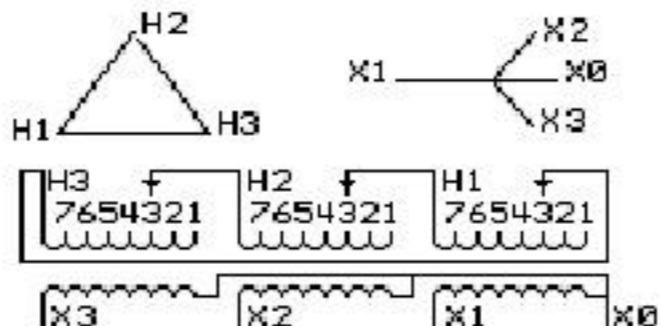
TYPE QL-

WP

**15.0 KVA 60 HZ 3 PH 5.5 % IMP**

40 C AMB. 150 C RISE 220 C SYSTEM IS-19C

Note: Design is based on 15.00KVA & 150C Rise 5.5% Imp.



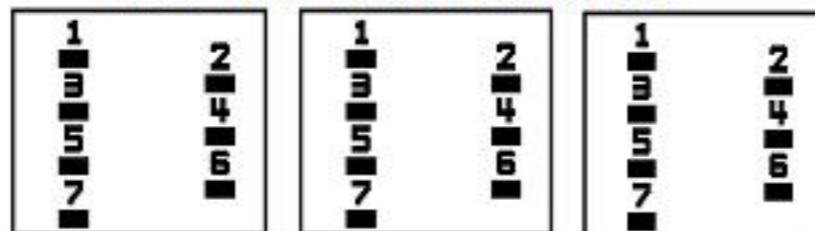
JUMPER CONNECTION TAP	VOLTS
1	504
2	491
3	480
4	469
5	456
6	444
7	431

NET WGT  
 180 LB  
 81.6 Kg  
 9T40G00C7  
 55504  
 Y371A  
 NOG  
 081715

INSPECTION & FINAL TEST N534!

PRIMARY (H) 480 VOLTS (LINE-LINE)  
 SECONDARY (X) 208 VOLTS (LINE-LINE)  
 120 VOLTS (LINE-NEUTRAL)

### COIL TAP ARRANGEMENT



ENCLOSURE TYPE 3R (IP22)

BEFORE HANDLING, INSTALLING AND OPERATING, SEE INSTRUCTION 475A667AAP001  
 ALUMINUM CONDUCTOR PRIMARY: 10 KV BIL SECONDARY: 10 KV BIL

Outline: 303B401MWP071

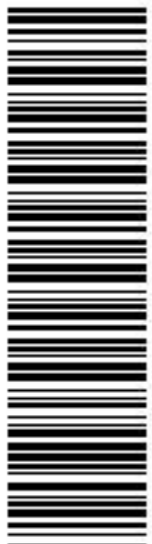
Assembled in Mexico

IN ACCORDANCE WITH NEC SECTION 450-9, ALLOW AT LEAST SIX INCHES CLEARANCE FOR VENTILATION. CHECK ADDITIONAL NEC AND LOCAL CODES.

X3 - X2 - X1 - X0  
 - H3 - H2 - H1

Note: Standard

X0  
-  
X1  
-  
X2  
-  
X3



\*2M0000000\*

X0  
-  
X1  
-  
X2  
-  
X3



\*3M0000000\*