



# Transformer



\*1M000000\*

Catalog Number

TYPE QL

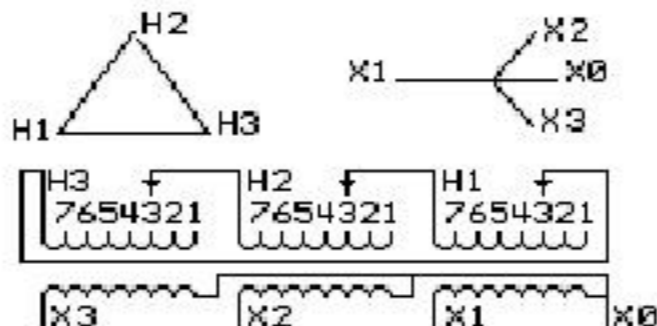
## 9T83W3873G80

45.0 KVA    60 HZ    3 PH 3.1 % IMP

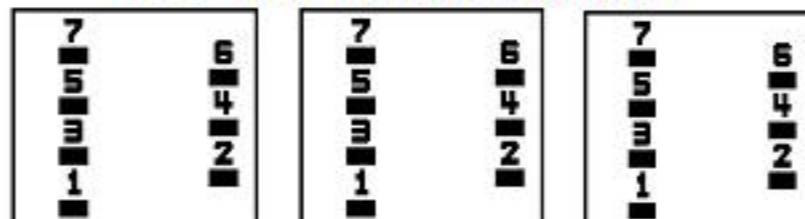
40 C AMB.    80 C RISE    220 C SYSTEM    IS-19C

Note: Design is based on 75.00KVA & 150C Rise 5.5% Imp.

PRIMARY (H)	480 VOLTS (LINE-LINE)
SECONDARY (X)	208 VOLTS (LINE-LINE)
	120 VOLTS (LINE-NEUTRAL)



### COIL TAP ARRANGEMENT



JUMPER CONNECTION TAP	VOLTS
1	503
2	493
3	480
4	467
5	457
6	443
7	433

NET WGT  
545 LB  
247.2 Kg  
9T40G00C7  
55512  
R374A  
NOG  
081715

INSPECTION  
&  
FINAL TEST  
N534!



ENCLOSURE TYPE 2 (IP30). RAINPROOF TYPE 3R ENCLOSURE (IP32) WHEN PROVIDED SHIELD 9T18W4317G06

BEFORE HANDLING, INSTALLING AND OPERATING, SEE INSTRUCTION 475A667AAP001  
ALUMINUM CONDUCTOR    PRIMARY: 10 KV BIL    SECONDARY: 10 KV BIL

Outline: 303B401MWP074

IN ACCORDANCE WITH NEC SECTION 450-9, ALLOW AT LEAST SIX INCHES  
CLEARANCE FOR VENTILATION. CHECK ADDITIONAL NEC AND LOCAL CODES.

Assembled in Mexico

X3 - X2 - X1 - X0  
- H3 - H2 - H1

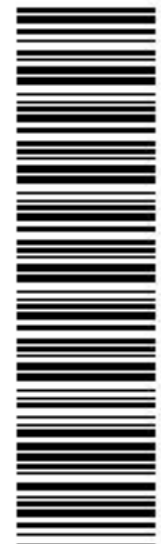
Note: Standard

X0  
-  
X1  
-  
X2  
-  
X3

- H3  
- H2  
- H1

X0  
-  
X1  
-  
X2  
-  
X3

- H3  
- H2  
- H1



\*2M000000\*



\*3M000000\*