



Transformer



1M000000

Catalog Number

9T83W3874G62

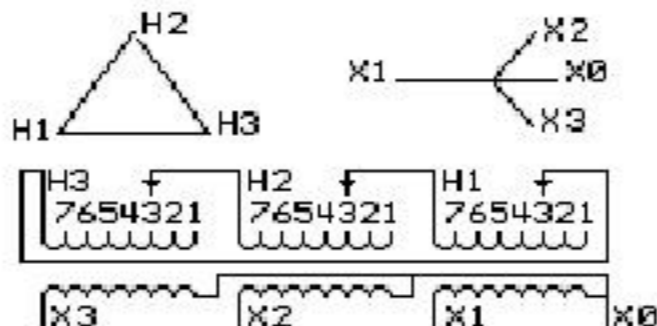
TYPE QL-
WP

75.0 KVA 60 HZ 3 PH 5.5 % IMP

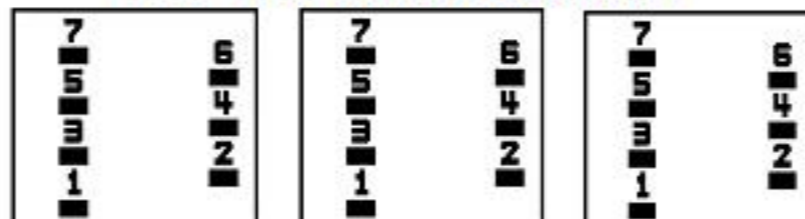
40 C AMB. 150 C RISE 220 C SYSTEM IS-19C

Note: Design is based on 75.00KVA & 150C Rise 5.5% Imp.

PRIMARY (H) 480 VOLTS (LINE-LINE)
SECONDARY (X) 208 VOLTS (LINE-LINE)
120 VOLTS (LINE-NEUTRAL)



COIL TAP ARRANGEMENT



JUMPER CONNECTION TAP	VOLTS
1	503
2	493
3	480
4	467
5	457
6	443
7	433

NET WGT
545 LB
247.2 Kg
9T40G00C7
55512
R374A
NOG
081715

INSPECTION & FINAL TEST N534!



ENCLOSURE TYPE 3R (IP22)

BEFORE HANDLING, INSTALLING AND OPERATING, SEE INSTRUCTION 475A667AAP001
ALUMINUM CONDUCTOR PRIMARY: 10 KV BIL SECONDARY: 10 KV BIL

Outline: 303B401MWP074

IN ACCORDANCE WITH NEC SECTION 450-9, ALLOW AT LEAST SIX INCHES CLEARANCE FOR VENTILATION. CHECK ADDITIONAL NEC AND LOCAL CODES.

Assembled in Mexico

X3 - X2 - X1 - X0
- H3 - H2 - H1

Note: Standard

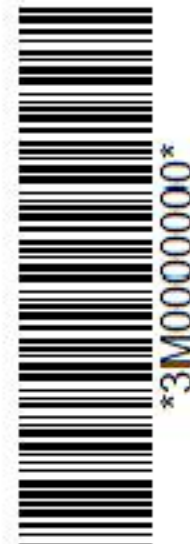
X0
-
X1
-
X2
-
X3



2M000000

H3 - H2 - H1

X0
-
X1
-
X2
-
X3



3M000000

H3 - H2 - H1