



Transformer



1M000000

Catalog Number

9T83W3875

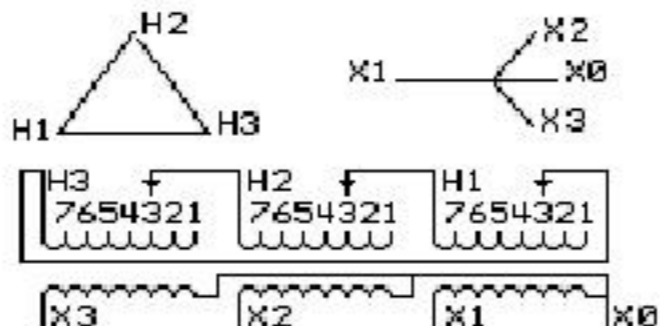
TYPE QL

112.5 KVA 60 HZ 3 PH 5.5 % IMP

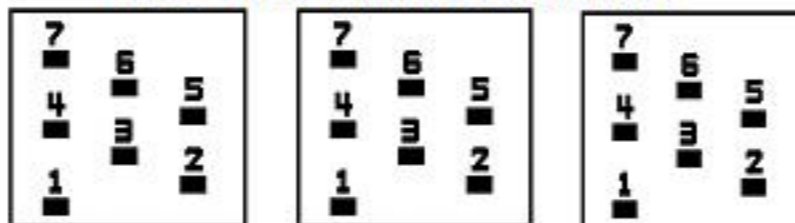
40 C AMB. 150 C RISE 220 C SYSTEM IS-19C

Note: Design is based on 112.5KVA & 150C Rise 5.5% Imp.

PRIMARY (H)	480 VOLTS (LINE-LINE)
SECONDARY (X)	208 VOLTS (LINE-LINE)
	120 VOLTS (LINE-NEUTRAL)



COIL TAP ARRANGEMENT



JUMPER CONNECTION TAP	VOLTS
1	504
2	492
3	480
4	468
5	456
6	444
7	432

NET WGT
715 LB
324.3 Kg
9T40G00C7
55544
R375A
NOG
081715

INSPECTION & FINAL TEST N534!



ENCLOSURE TYPE 2 (IP30). RAINPROOF TYPE 3R ENCLOSURE (IP32) WHEN PROVIDED SHIELD 9T18W4317G06

BEFORE HANDLING, INSTALLING AND OPERATING, SEE INSTRUCTION 475A667AAP001
ALUMINUM CONDUCTOR PRIMARY: 10 KV BIL SECONDARY: 10 KV BIL

Outline: 303B401MWP075

IN ACCORDANCE WITH NEC SECTION 450-9, ALLOW AT LEAST SIX INCHES CLEARANCE FOR VENTILATION. CHECK ADDITIONAL NEC AND LOCAL CODES.

Assembled in Mexico

X3 - X2 - X1 - X0
- H3 - H2 - H1

Note: Standard

X0
-
X1
-
X2
-
X3



2M000000

H3 - H2 - H1

X0
-
X1
-
X2
-
X3



3M000000

H3 - H2 - H1