



# Transformer



\*1M000000\*

Catalog Number

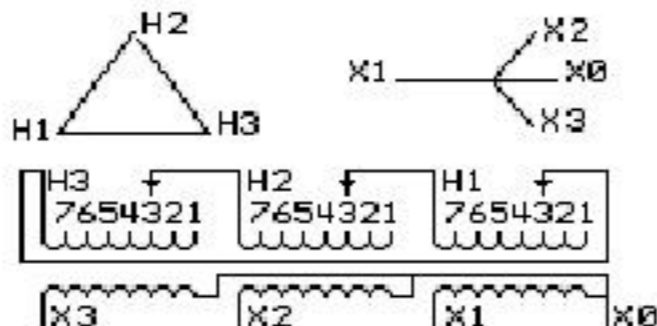
TYPE QL

## 9T83W3875G15

112.5 KVA 60 HZ 3 PH 4.1 % IMP

40 C AMB. 115 C RISE 220 C SYSTEM IS-19C

Note: Design is based on 150.0KVA & 150C Rise 5.8% Imp.



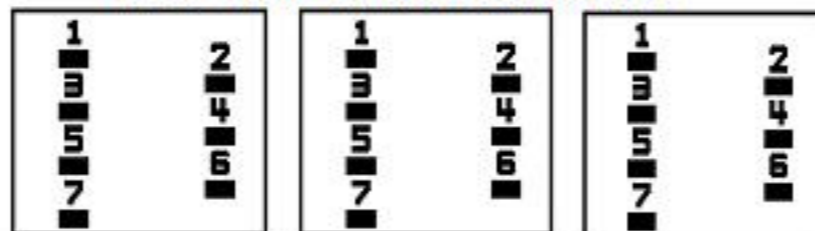
JUMPER CONNECTION	
TAP	VOLTS
1	506
2	491
3	480
4	470
5	454
6	444
7	433

NET WGT  
1070 LB  
485.4 Kg  
9T40G00C7  
555E0  
XV376  
NOG  
081715

INSPECTION  
&  
FINAL TEST  
N534!

PRIMARY (H) 480 VOLTS (LINE-LINE)  
SECONDARY (X) 208 VOLTS (LINE-LINE)  
120 VOLTS (LINE-NEUTRAL)

### COIL TAP ARRANGEMENT



ENCLOSURE TYPE 2 (IP30). RAINPROOF TYPE 3R ENCLOSURE (IP32) WHEN PROVIDED SHIELD 9T18W4317G07

Assembled in Mexico

BEFORE HANDLING, INSTALLING AND OPERATING, SEE INSTRUCTION 475A667AAP001  
ALUMINUM CONDUCTOR PRIMARY: 10 KV BIL SECONDARY: 10 KV BIL

Outline: 303B401MWP076

IN ACCORDANCE WITH NEC SECTION 450-9, ALLOW AT LEAST SIX INCHES  
CLEARANCE FOR VENTILATION. CHECK ADDITIONAL NEC AND LOCAL CODES.

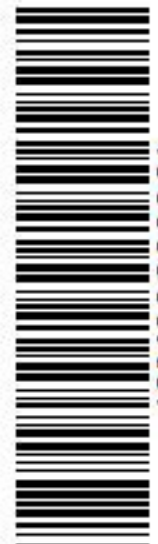
X3 - X2 - X1 - -  
- H3 - H2 - H1

Note: X0 Terminal at the bottom

X3 - X2 - X1 -  
- H3 - H2 - H1  
X3 - X2 - X1 -  
- H3 - H2 - H1  
X0



\*2M000000\*



\*3M000000\*