



# Transformer



\*1M000000\*

Catalog Number

**9T83W3875G62**

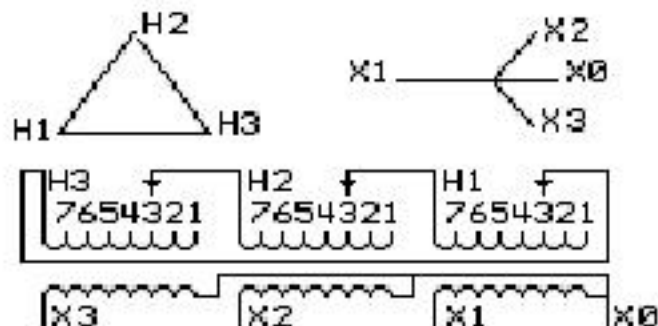
TYPE QL-  
WP

**112.5 KVA 60 HZ 3 PH 5.5 % IMP**

40 C AMB. 150 C RISE 220 C SYSTEM IS-19C

Note: Design is based on 112.5KVA & 150C Rise 5.5% Imp.

PRIMARY (H) 480 VOLTS (LINE-LINE)  
SECONDARY (X) 208 VOLTS (LINE-LINE)  
120 VOLTS (LINE-NEUTRAL)

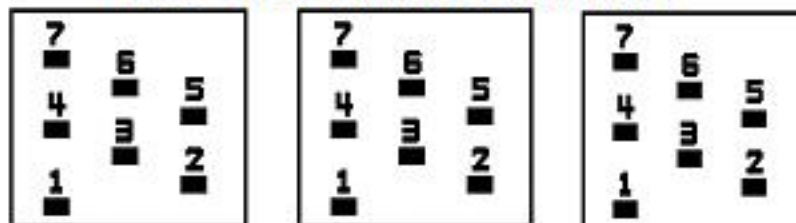


JUMPER CONNECTION TAP	VOLTS
1	504
2	492
3	480
4	468
5	456
6	444
7	432

NET WGT  
715 LB  
324.3 Kg  
9T40G00C7  
55544  
R375A  
NOG  
081715

INSPECTION & FINAL TEST N534!

### COIL TAP ARRANGEMENT



LISTED 769G

ENCLOSURE TYPE 3R (IP22)

BEFORE HANDLING, INSTALLING AND OPERATING, SEE INSTRUCTION 475A667AAP001  
ALUMINUM CONDUCTOR PRIMARY: 10 KV BIL SECONDARY: 10 KV BIL

Outline: 303B401MWP075

IN ACCORDANCE WITH NEC SECTION 450-9, ALLOW AT LEAST SIX INCHES CLEARANCE FOR VENTILATION. CHECK ADDITIONAL NEC AND LOCAL CODES.

Assembled in Mexico

X3 - X2 - X1 - X0  
- H3 - H2 - H1

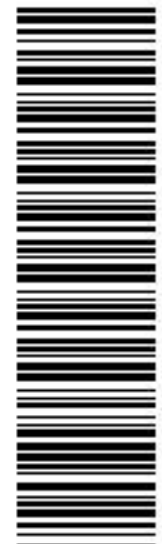
Note: Standard

X0  
-  
X1  
-  
X2  
-  
X3

- H1  
-  
H2  
-  
H3

X0  
-  
X1  
-  
X2  
-  
X3

- H1  
-  
H2  
-  
H3



\*2M000000\*



\*3M000000\*