



Transformer



1M000000

Catalog Number

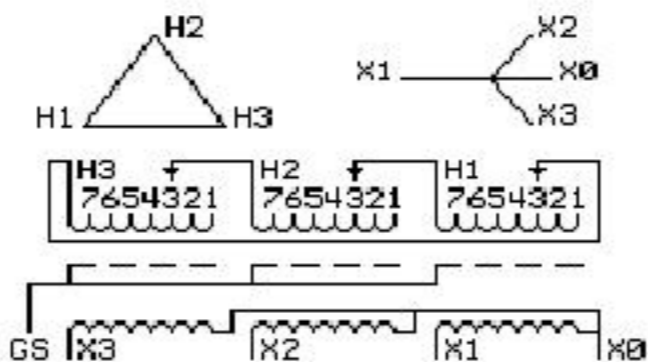
TYPE QL

9T83W9484G13

75.0 KVA 60 HZ 3 PH 2.4 % IMP

40 C AMB. 115 C RISE 220 C SYSTEM IS-19C

Note: Design is based on 150.0KVA & 150C Rise 5.5% Imp.



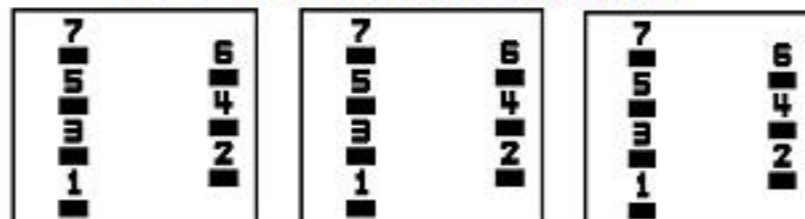
| JUMPER CONNECTION TAP | VOLTS |
|-----------------------|-------|
| 1 | 506 |
| 2 | 491 |
| 3 | 480 |
| 4 | 470 |
| 5 | 454 |
| 6 | 444 |
| 7 | 433 |

NET WGT
 1190 LB
 539.8 Kg
 9T40G00C7
 43001
 XV376
 NOG
 072715

INSPECTION
 &
 FINAL TEST
 N531!

PRIMARY (H) 480 VOLTS (LINE-LINE)
 SECONDARY (X) 208 VOLTS (LINE-LINE)
 120 VOLTS (LINE-NEUTRAL)

COIL TAP ARRANGEMENT



ELECTROSTATIC GROUND SHIELD IN EACH PHASE

ENCLOSURE TYPE 2 (IP30). RAINPROOF TYPE 3R ENCLOSURE (IP32) WHEN PROVIDED SHIELD 9T18W4317G07

SUITABLE FOR NONSINUSOIDAL CURRENT LOAD WITH K-FACTOR NOT TO EXCEED 20

BEFORE HANDLING, INSTALLING AND OPERATING, SEE INSTRUCTION 475A667AAP001

Outline: 303B401MWP076

COPPER CONDUCTOR

PRIMARY: 10 KV BIL

SECONDARY: 10 KV BIL

Assembled in Mexico

X3 - X2 - X1 - -
 - H3 - H2 - H1

Note: X0 Terminal at the bottom

Midwest Electric Products

NEMA CLASS AA DRY TYPE TRANSFORMER

Meets TP-1 2002 efficiency



2M000000



3M000000

X3 - X2 - X1 - -
 - H3 - H2 - H1
 X3 - X2 - X1 - -
 - H3 - H2 - H1
 X0