



# Transformer



\*1M000000\*

Catalog Number

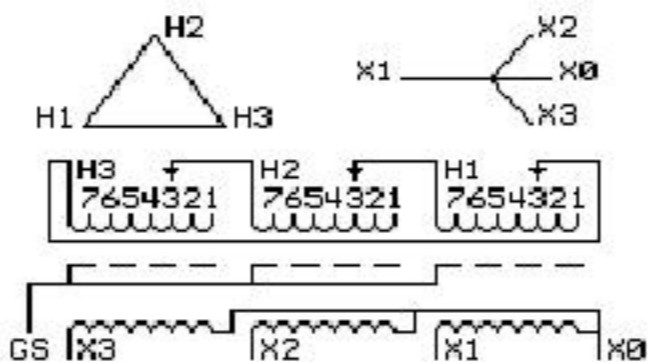
TYPE QL

## 9T83W9492G03

**30.0 KVA    60 HZ    3 PH 3.4 % IMP**

40 C AMB.    150 C RISE    220 C SYSTEM    IS-19C

Note: Design is based on 45.00KVA & 150C Rise 5.5% Imp.



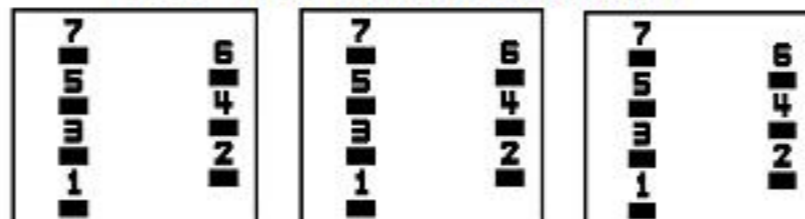
JUMPER CONNECTION	
TAP	VOLTS
1	503
2	492
3	480
4	469
5	455
6	443
7	432

NET WGT  
490 LB  
222.3 Kg  
9T40G00C7  
55631  
XV373  
NOG  
081815

INSPECTION  
&  
FINAL TEST  
N534!

PRIMARY (H)    480 VOLTS (LINE-LINE)  
SECONDARY (X)    208 VOLTS (LINE-LINE)  
                          120 VOLTS (LINE-NEUTRAL)

### COIL TAP ARRANGEMENT



ELECTROSTATIC GROUND SHIELD IN EACH PHASE

ENCLOSURE TYPE 2 (IP30). RAINPROOF TYPE 3R ENCLOSURE (IP32) WHEN PROVIDED SHIELD 9T18W4317G05

SUITABLE FOR NONSINUSOIDAL CURRENT LOAD WITH K-FACTOR NOT TO EXCEED 30

BEFORE HANDLING, INSTALLING AND OPERATING, SEE INSTRUCTION 475A667AAP001

Outline: 303B401MWP073

COPPER CONDUCTOR

PRIMARY: 10 KV BIL

SECONDARY: 10 KV BIL

Assembled in Mexico

X3 - X2 - X1 - -  
- H3 - H2 - H1

Note: X0 Terminal at the bottom

Midwest Electric Products

NEMA CLASS AA DRY TYPE TRANSFORMER

Meets TP-1 2002 efficiency



\*2M000000\*



\*3M000000\*

X3 - X2 - X1 - -  
- H3 - H2 - H1  
X3 - X2 - X1 - -  
- H3 - H2 - H1  
X0