



# Transformer



\*1M000000\*

Catalog Number

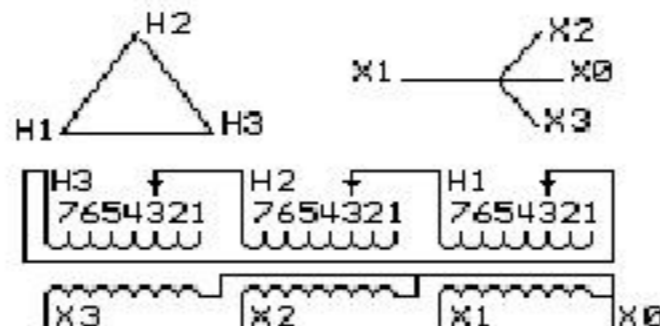
TYPE QL

## 9T83W9875G50

112.5 KVA 60 HZ 3 PH 5 % IMP

40 C AMB. 150 C RISE 220 C SYSTEM IS-19C

Note: Design is based on 75.00KVA & 80C Rise 2.8% Imp.



| JUMPER CONNECTION |       |
|-------------------|-------|
| TAP               | VOLTS |
| 1                 | 505   |
| 2                 | 490   |
| 3                 | 480   |
| 4                 | 470   |
| 5                 | 455   |
| 6                 | 445   |
| 7                 | 430   |

NET WGT

950 LB

430.9 Kg

9T40G00C7

42975

XV375

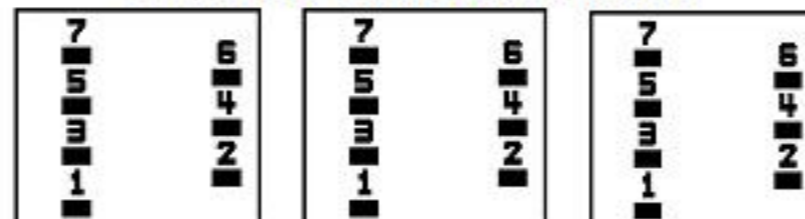
NOG

080315

INSPECTION & FINAL TEST N532!

PRIMARY (H) 480 VOLTS (LINE-LINE)  
 SECONDARY (X) 208 VOLTS (LINE-LINE)  
 120 VOLTS (LINE-NEUTRAL)

### COIL TAP ARRANGEMENT



LISTED 769G

ENCLOSURE TYPE 2 (IP30). RAINPROOF TYPE 3R ENCLOSURE (IP32) WHEN PROVIDED SHIELD 9T18W4317G06

Assembled in Mexico

BEFORE HANDLING, INSTALLING AND OPERATING, SEE INSTRUCTION 475A667AAP001

Outline: 303B401MWP075

COPPER CONDUCTOR

PRIMARY: 10 KV BIL

SECONDARY: 10 KV BIL

IN ACCORDANCE WITH NEC SECTION 450-9, ALLOW AT LEAST SIX INCHES CLEARANCE FOR VENTILATION. CHECK ADDITIONAL NEC AND LOCAL CODES.

X3 - X2 - X1 - -  
 - H3 - H2 - H1

Note: X0 Terminal at the bottom



\*2M000000\*



\*3M000000\*

X3 - X2 - X1 - -

- H3 - H2 - H1

X3 - X2 - X1 - -

- H3 - H2 - H1

X0