



Core & Coil Transformer



1M000000

Catalog Number

9T84B3005

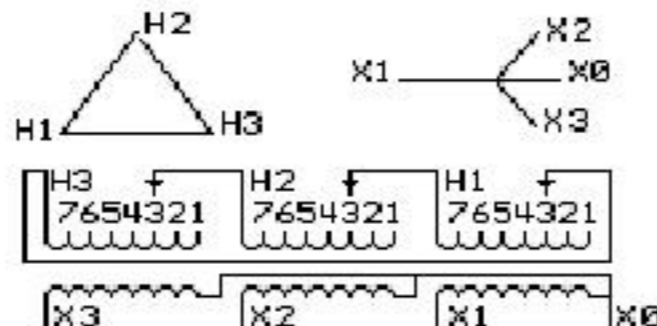
Type QL-C

112.5 KVA 60 HZ 3 PH 6 % IMP

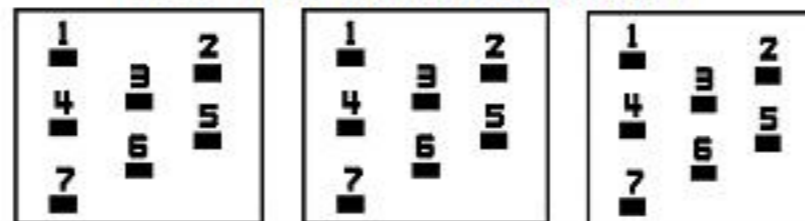
40 C AMB. 150 C RISE 220 C SYSTEM IS-19C

Note: Design is based on 112.5KVA & 150C Rise 6% Imp.

PRIMARY (H) 440 VOLTS (LINE-LINE)
 SECONDARY (X) 220 VOLTS (LINE-LINE)
 127 VOLTS (LINE-NEUTRAL)



COIL TAP ARRANGEMENT



JUMPER CONNECTION	
TAP	VOLTS
1	461
2	452
3	440
4	428
5	419
6	409
7	395

NET WGT
660 LB
299.4 Kg

55016
XV375
NOG
072115

INSPECTION
&
FINAL TEST
N530!



Assembled in Mexico

BEFORE HANDLING, INSTALLING AND OPERATING, SEE INSTRUCTION 475A667AAP001
ALUMINUM CONDUCTOR PRIMARY: 10 KV BIL SECONDARY: 10 KV BIL

Outline: 303B401AAP075

IN ACCORDANCE WITH NEC SECTION 450-9, ALLOW AT LEAST SIX INCHES
CLEARANCE FOR VENTILATION. CHECK ADDITIONAL NEC AND LOCAL CODES.

X3 - X2 - X1 - -
- H3 - H2 - H1

Note: X0 Terminal at the bottom

X1 - -
X2 - -
X3 - -
H1 - -
H2 - -
H3 - -



2M000000



3M000000

X0