



# Core & Coil Transformer



\*1M000000\*

Catalog Number

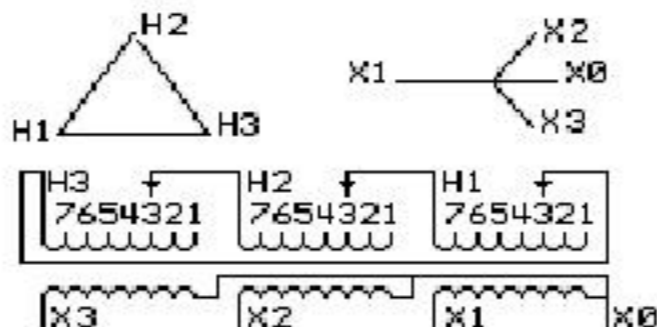
Type QL-C

9T84B3144

75.0 KVA 60 HZ 3 PH 6 % IMP

40 C AMB. 150 C RISE 220 C SYSTEM IS-19C

Note: Design is based on 75.00KVA & 150C Rise 6% Imp.



JUMPER CONNECTION	
TAP	VOLTS
1	502
2	491
3	480
4	469
5	455
6	444
7	433

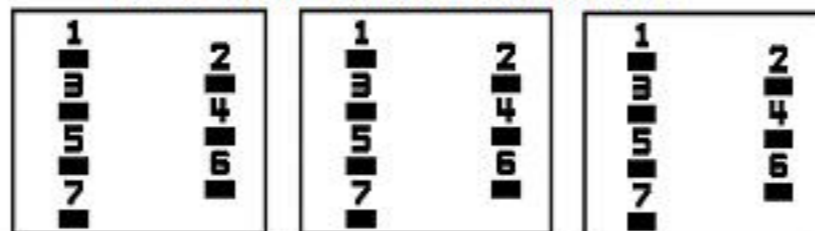
NET WGT  
525 LB  
238.1 Kg

55478  
XV374  
NOG  
081515

INSPECTION  
&  
FINAL TEST  
N533!

PRIMARY (H) 480 VOLTS (LINE-LINE)  
 SECONDARY (X) 208 VOLTS (LINE-LINE)  
 120 VOLTS (LINE-NEUTRAL)

### COIL TAP ARRANGEMENT



LISTED 769G

Assembled in Mexico

BEFORE HANDLING, INSTALLING AND OPERATING, SEE INSTRUCTION 475A667AAP001  
ALUMINUM CONDUCTOR PRIMARY: 10 KV BIL SECONDARY: 10 KV BIL

Outline: 303B401AAP074

IN ACCORDANCE WITH NEC SECTION 450-9, ALLOW AT LEAST SIX INCHES  
CLEARANCE FOR VENTILATION. CHECK ADDITIONAL NEC AND LOCAL CODES.

X3 - X2 - X1 - -  
 - H3 - H2 - H1

Note: X0 Terminal at the bottom

X1 - -  
 X2 - - H1  
 H3 - H2 - H1  
 X3 - X2 - X1 -  
 H3 - H2 - H1  
 X0



\*2M000000\*



\*3M000000\*