



Core & Coil Transformer



1M000000

X0

X0

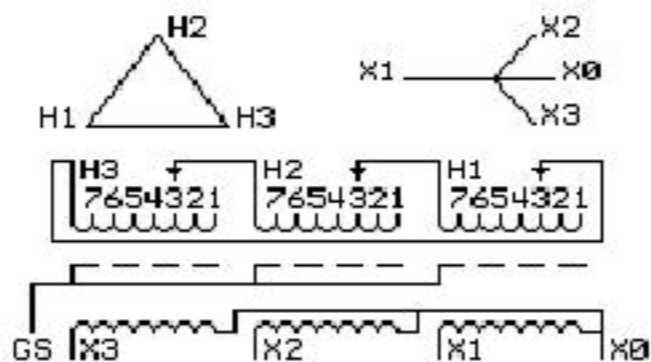
Catalog Number
9T84B3471G03

Type QL-C

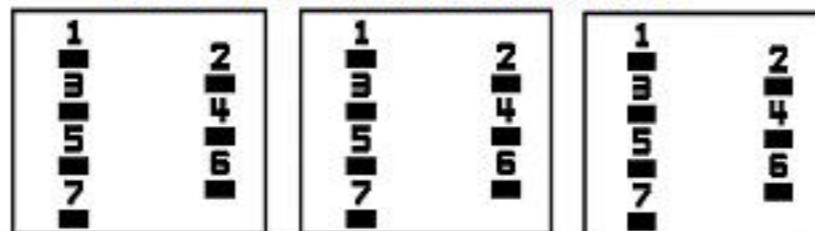
15.0 KVA 60 HZ 3 PH 6.2 % IMP

40 C AMB. 150 C RISE 220 C SYSTEM IS-19C

Note: Design is based on 15.00KVA & 150C Rise 5.8% Imp.



COIL TAP ARRANGEMENT



NSALEØ 15.00Ø48Ø
+2,-4 2.5Ø%)
2Ø8Y/12Ø

Ø911

N

N

ØRE AND ØIL

ØN-SIN K=Ø4HØ

Ø

ANCS

52Ø

NET WGT
210 LB
95.3 Kg

57785
XV371

NOG
092215

INSPECTION
&
FINAL TEST
N539!



LISTED 769G

Assembled in Mexico

X3 - X2 - X1 - X0

- H3 - H2 - H1

Note: Standard

9T84B3461G139T84B3461G13

15Ø922LM 3Ø3B4Ø1AAPØ71 NNNY 4Ø115

22ØIS-19CØL-C 3 6ØAL1ØØ15ØY15.ØØ 5.8 21

Ø 48Ø(+2,-4 2.5

ELECTROSTATIC GROUND SHIELD IN EACH PHASE

SUITABLE FOR NONSINUSOIDAL CURRENT LOAD WITH K-FACTOR NOT TO EXCEED 13

BEFORE HANDLING, INSTALLING AND OPERATING, SEE INSTRUCTION 475A667AAPØØ1

Outline: 3Ø3B4Ø1AAPØ71

ALUMINUM CONDUCTOR

PRIMARY: 10 KV BIL

SECONDARY: 10 KV BIL

IN ACCORDANCE WITH NEC SECTION 45Ø-9, ALLOW AT LEAST SIX INCHES

CLEARANCE FOR VENTILATION. CHECK ADDITIONAL NEC AND LOCAL CODES.



2M000000



3M000000

X3

-

X3

-

X2

-

X2

-

X1

-

X1

-

X0

-

X0

-

H3 - H2 - H1

H3 - H2 - H1