



# Core & Coil Transformer



\*1M000000\*

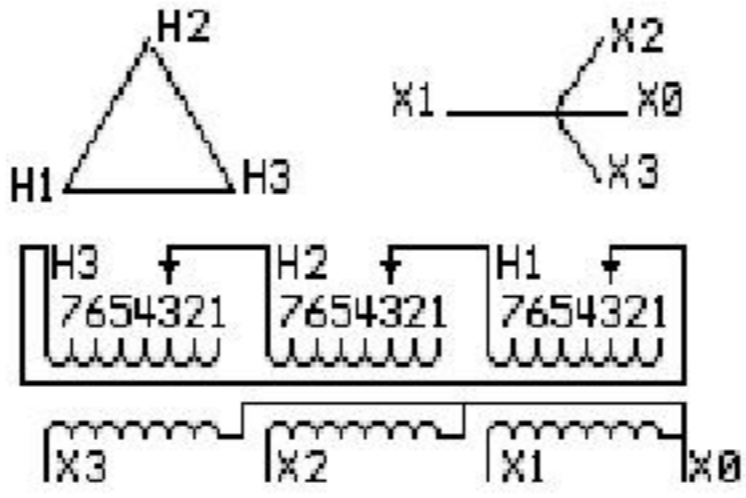
Catalog Number **9Q3A045AAAD00C0T00** Type **QL-C**

**9T84B3853G80**

**45.0 KVA 60 HZ 3 PH 3.6 % IMP**

40 C AMB. 80 C RISE 220 C SYSTEM IS-19C

Note: Design is based on 75.00KVA & 150C Rise 6.1% Imp.



JUMPER CONNECTION	
TAP	VOLTS
1	504
2	493
3	480
4	468
5	457
6	443
7	432

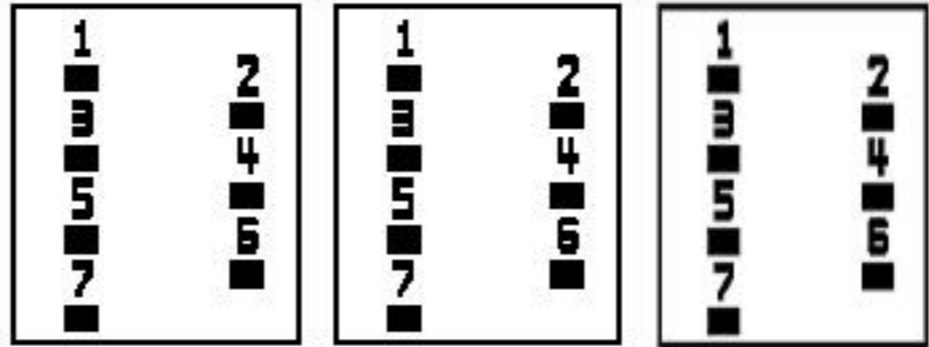
NET WGT  
525 LB  
238.1 Kg

55660  
XU374  
NOG  
072915

INSPECTION  
&  
FINAL TEST  
N531!

PRIMARY (H) 480 VOLTS (LINE-LINE)  
 SECONDARY (X) 480 VOLTS (LINE-LINE)  
 277 VOLTS (LINE-NEUTRAL)

### COIL TAP ARRANGEMENT



Assembled in Mexico

BEFORE HANDLING, INSTALLING AND OPERATING, SEE INSTRUCTION 475A667AAP001 Outline: 303B401AAP074  
 ALUMINUM CONDUCTOR PRIMARY: 10 KV BIL SECONDARY: 10 KV BIL

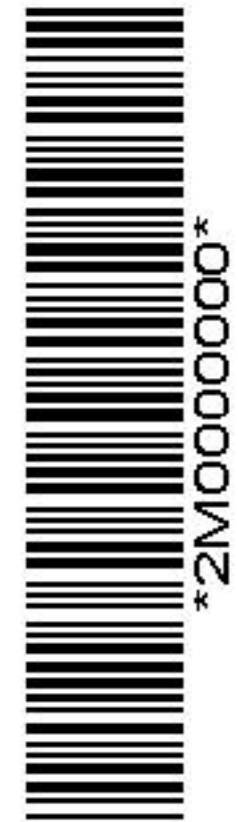
IN ACCORDANCE WITH NEC SECTION 450-9, ALLOW AT LEAST SIX INCHES CLEARANCE FOR VENTILATION. CHECK ADDITIONAL NEC AND LOCAL CODES.

X3 - X2 - X1 - -  
 - H3 - H2 - H1

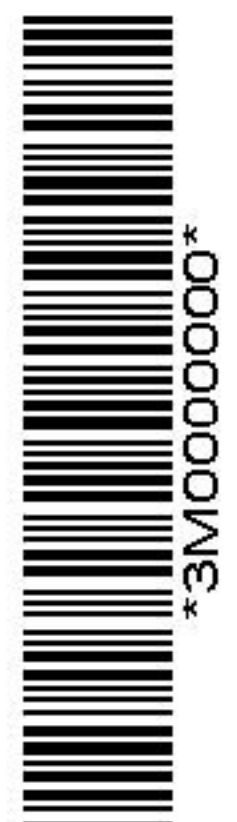
Note: X0 Terminal at the bottom

X1 - - H1  
 X2 - - H2  
 X3 - - H3  
 X1 - - H1  
 X2 - - H2  
 X3 - - H3

X0



\*2M000000\*



\*3M000000\*