



# Core & Coil Transformer

Catalog Number

108W9489P001

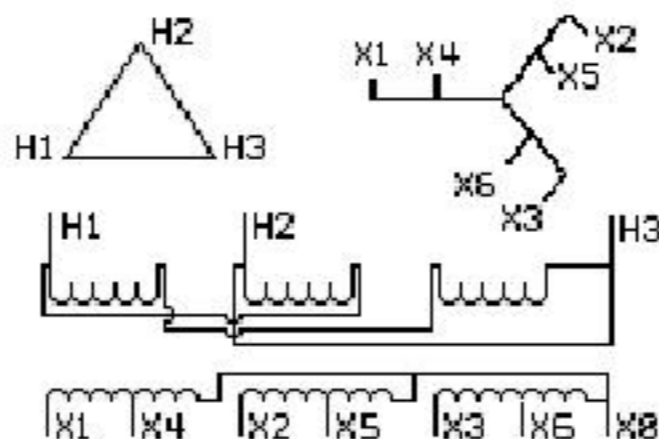
TYPE QL

9T84B5816

150.0 KVA 50/60 HZ 3 PH 4.2 % IMP

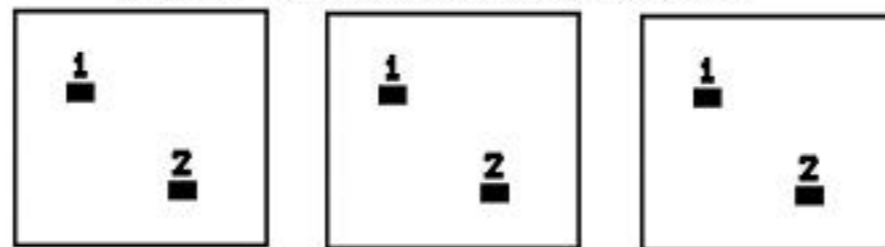
40 C AMB. 150 C RISE 220 C SYSTEM IS-19C  
NOG

PRIMARY (H) 690 VOLTS (LINE-LINE)  
SECONDARY (X) 400 VOLTS (LINE-LINE)  
231 VOLTS (LINE-NEUTRAL)



JUMPER CONNECTION	
TAP	VOLTS
1	400
2	208

### COIL TAP ARRANGEMENT



Assembled in Mexico



C&C

BEFORE HANDLING, INSTALLING AND OPERATING, SEE INSTRUCTION 475A667AAP001  
Aluminum CONDUCTOR PRIMARY: 10 KV BIL SECONDARY: 10 KV BIL

IN ACCORDANCE WITH NEC SECTION 450-9, ALLOW AT LEAST SIX INCHES  
CLEARANCE FOR VENTILATION. CHECK ADDITIONAL NEC AND LOCAL CODES.

INSPECTION &  
FINAL TEST  
N604!

012116

NET WGT  
1521 LB