



Core & Coil Transformer

Catalog Number

108W9489P002

TYPE QL

9T84B5826G30

150.0 KVA 60 HZ

3 PH 4.1 % IMP

50 C AMB.

140 C RISE

220 C SYSTEM

IS-19C

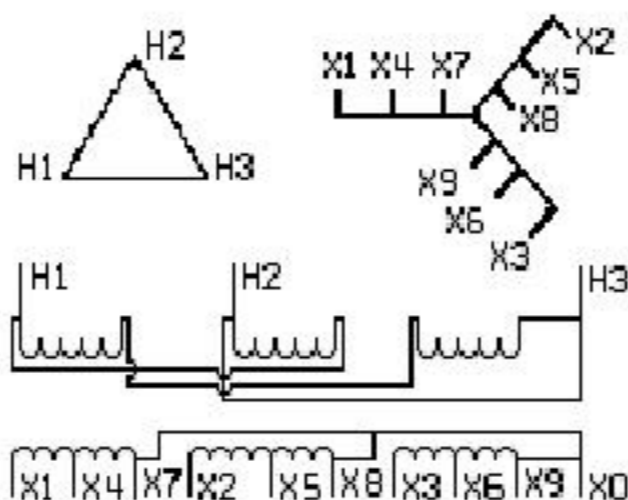
PRIMARY (H)

690 VOLTS (LINE-LINE)

SECONDARY (X)

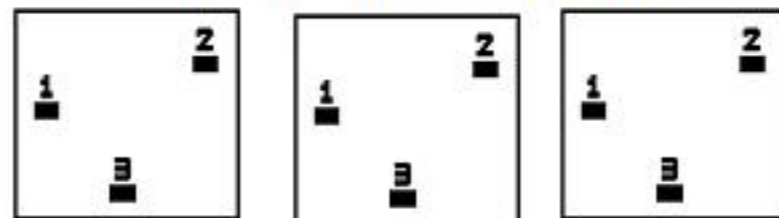
400 VOLTS (LINE-LINE)

231 VOLTS (LINE-NEUTRAL)

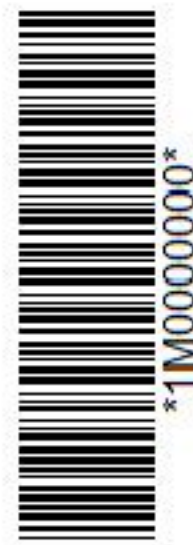


JUMPER CONNECTION	
TAP	VOLTS
1	400
2	381
3	208

COIL TAP ARRANGEMENT



Assembled in Mexico



C&C

BEFORE HANDLING, INSTALLING AND OPERATING, SEE INSTRUCTION 475A667AAP001

Aluminum CONDUCTOR

PRIMARY: 10 KV BIL

SECONDARY: 10 KV BIL

IN ACCORDANCE WITH NEC SECTION 450-9, ALLOW AT LEAST SIX INCHES CLEARANCE FOR VENTILATION. CHECK ADDITIONAL NEC AND LOCAL CODES.

INSPECTION &
FINAL TEST
N614!

033016

NET WGT
1350 LB