



# Core & Coil Transformer



\*1M000000\*

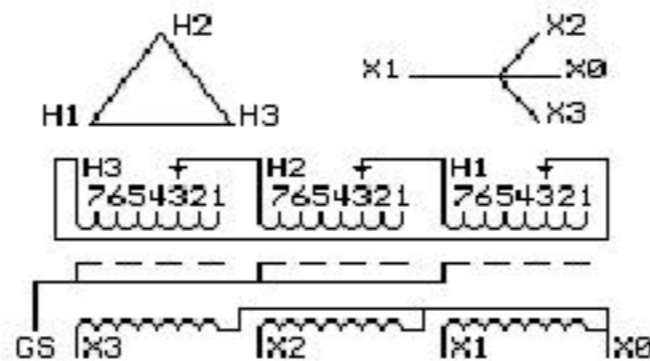
Catalog Number  
**9T84C9145G03**

Type **QL-C**

**112.5 KVA 60 HZ 3 PH 5 % IMP**

40 C AMB. 150 C RISE 220 C SYSTEM IS-19C

Note: Design is based on 112.5KVA & 150C Rise 5% Imp.



JUMPER CONNECTION	
TAP	VOLTS
1	505
2	490
3	480
4	470
5	455
6	445
7	430

NET WGT  
833 LB  
377.8 Kg

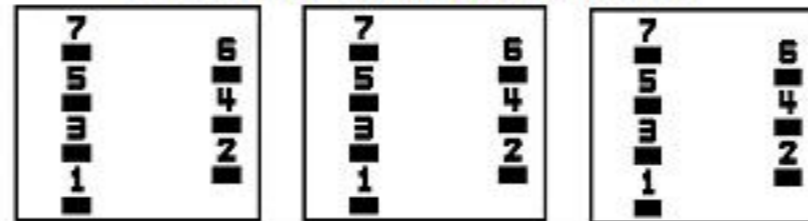
55111  
XV375  
NOG  
080315

INSPECTION  
&  
FINAL TEST  
N532!

PRIMARY (H) 480 VOLTS (LINE-LINE)  
 SECONDARY (X) 208 VOLTS (LINE-LINE)  
 120 VOLTS (LINE-NEUTRAL)

ELECTROSTATIC GROUND SHIELD IN EACH PHASE

### COIL TAP ARRANGEMENT



Assembled in Mexico

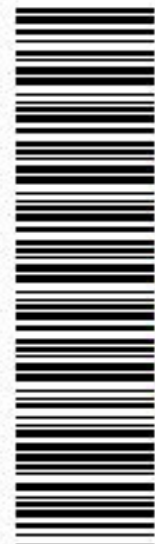
BEFORE HANDLING, INSTALLING AND OPERATING, SEE INSTRUCTION 475A667AAP001  
COPPER CONDUCTOR PRIMARY: 10 KV BIL SECONDARY: 10 KV BIL

Outline: 303B401AAP075

**IN ACCORDANCE WITH NEC SECTION 450-9, ALLOW AT LEAST SIX INCHES CLEARANCE FOR VENTILATION. CHECK ADDITIONAL NEC AND LOCAL CODES.**

X3 - X2 - X1 - -  
 - H3 - H2 - H1

Note: X0 Terminal at the bottom



\*2M000000\*



\*3M000000\*

X3 - X2 - X1 - -  
 - H3 - H2 - H1  
 X3 - X2 - X1 - -  
 - H3 - H2 - H1

X0