



# Core & Coil Transformer



\*1M000000\*

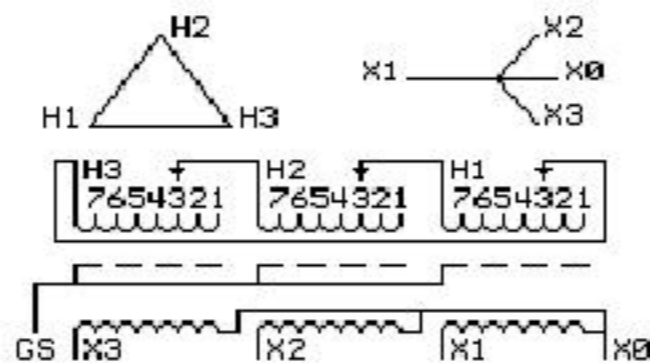
Catalog Number  
**9T84C9465G03**

Type **QL-C**

**112.5 KVA 60 HZ 3 PH 3.9 % IMP**

40 C AMB. 150 C RISE 220 C SYSTEM IS-19C

Note: Design is based on 150.0KVA & 150C Rise 5.5% Imp.



| JUMPER CONNECTION |       |
|-------------------|-------|
| TAP               | VOLTS |
| 1                 | 506   |
| 2                 | 491   |
| 3                 | 480   |
| 4                 | 470   |
| 5                 | 454   |
| 6                 | 444   |
| 7                 | 433   |

NET WGT  
1080 LB  
489.9 Kg

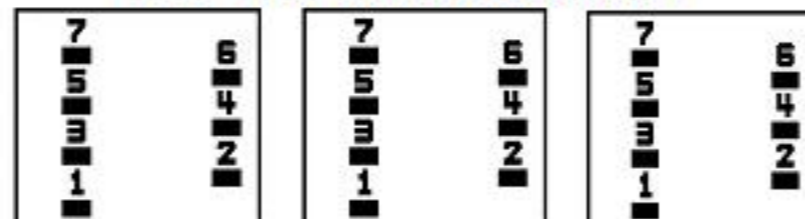
43001  
XV376  
NOG  
072715

INSPECTION  
&  
FINAL TEST  
N531!

PRIMARY (H) 480 VOLTS (LINE-LINE)  
 SECONDARY (X) 208 VOLTS (LINE-LINE)  
 120 VOLTS (LINE-NEUTRAL)

ELECTROSTATIC GROUND SHIELD IN EACH PHASE

### COIL TAP ARRANGEMENT



Assembled in Mexico

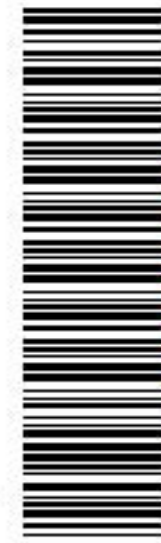
SUITABLE FOR NONSINUSOIDAL CURRENT LOAD WITH K-FACTOR NOT TO EXCEED 4  
 BEFORE HANDLING, INSTALLING AND OPERATING, SEE INSTRUCTION 475A667AAP001  
 COPPER CONDUCTOR PRIMARY: 10 KV BIL SECONDARY: 10 KV BIL

Outline: 303B401AAP076

IN ACCORDANCE WITH NEC SECTION 450-9, ALLOW AT LEAST SIX INCHES  
 CLEARANCE FOR VENTILATION. CHECK ADDITIONAL NEC AND LOCAL CODES.

X3 - X2 - X1 - -  
 - H3 - H2 - H1

Note: X0 Terminal at the bottom



\*2M000000\*



\*3M000000\*

X3 - X2 - X1 - -  
 - H3 - H2 - H1  
 X3 - X2 - X1 - -  
 - H3 - H2 - H1

X0