



Core & Coil Transformer



1M000000

Catalog Number

Type QL-C

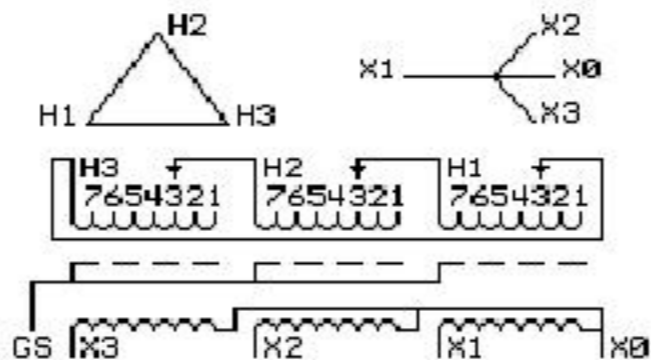
9Q3C030AAAA20B0T00

9T84C9482G13

30.0 KVA 60 HZ 3 PH 3.3 % IMP

40 C AMB. 115 C RISE 220 C SYSTEM IS-19C

Note: Design is based on 45.00KVA & 150C Rise 5.5% Imp.



JUMPER CONNECTION TAP	VOLTS
1	503
2	492
3	480
4	469
5	455
6	443
7	432

NET WGT
444 LB
201.4 Kg

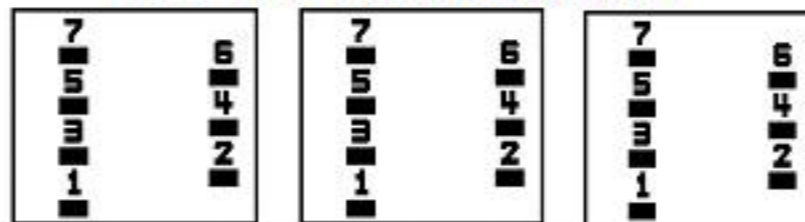
56631
XV373
NOG
082115

INSPECTION & FINAL TEST N534!

PRIMARY (H) 480 VOLTS (LINE-LINE)
 SECONDARY (X) 208 VOLTS (LINE-LINE)
 120 VOLTS (LINE-NEUTRAL)

ELECTROSTATIC GROUND SHIELD IN EACH PHASE

COIL TAP ARRANGEMENT



Assembled in Mexico

SUITABLE FOR NONSINUSOIDAL CURRENT LOAD WITH K-FACTOR NOT TO EXCEED 20 BEFORE HANDLING, INSTALLING AND OPERATING, SEE INSTRUCTION 475A667AAP001
 COPPER CONDUCTOR PRIMARY: 10 KV BIL SECONDARY: 10 KV BIL

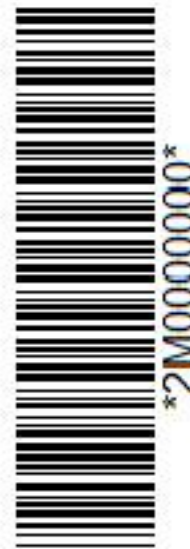
Outline: 303B401AAP073

IN ACCORDANCE WITH NEC SECTION 450-9, ALLOW AT LEAST SIX INCHES CLEARANCE FOR VENTILATION. CHECK ADDITIONAL NEC AND LOCAL CODES.

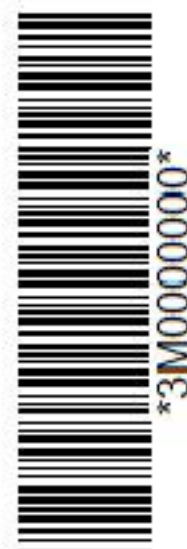
X3 - X2 - X1 - -
 - H3 - H2 - H1

Note: X0 Terminal at the bottom

X1 - - H1
 X2 - - H2
 X3 - - H3
 X1 - - H1
 X2 - - H2
 X3 - - H3
 X0



2M000000



3M000000