



Core & Coil Transformer



1M000000

Catalog Number
9T84C9875G80

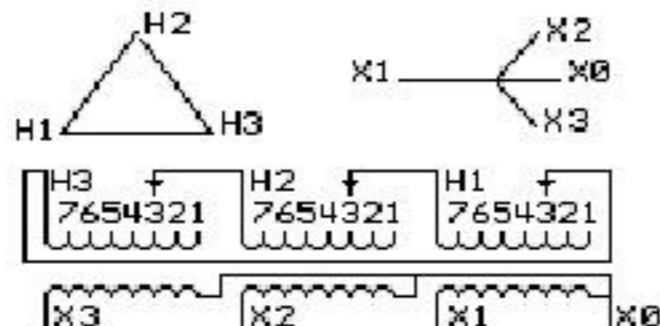
Type QL-C

112.5 KVA 60 HZ 3 PH 3.8 % IMP

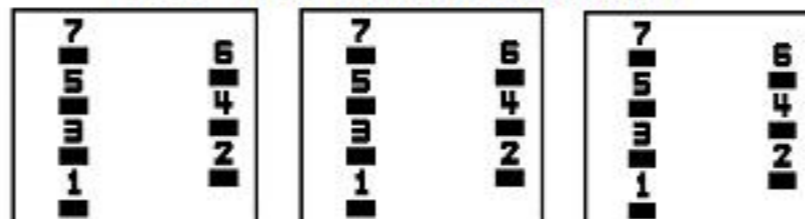
40 C AMB. 80 C RISE 220 C SYSTEM IS-19C

Note: Design is based on 112.5KVA & 80C Rise 3.8% Imp.

PRIMARY (H) 480 VOLTS (LINE-LINE)
SECONDARY (X) 208 VOLTS (LINE-LINE)
120 VOLTS (LINE-NEUTRAL)



COIL TAP ARRANGEMENT



JUMPER CONNECTION	
TAP	VOLTS
1	505
2	490
3	480
4	470
5	455
6	445
7	430

NET WGT
1080 LB
489.9 Kg

42993

XV376

NOG

072715

INSPECTION
&
FINAL TEST
N531!



LISTED 769G

Assembled in Mexico

BEFORE HANDLING, INSTALLING AND OPERATING, SEE INSTRUCTION 475A667AAP001
COPPER CONDUCTOR PRIMARY: 10 KV BIL SECONDARY: 10 KV BIL

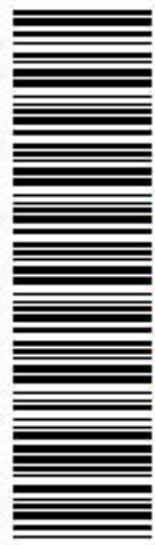
Outline: 303B401AAP076

IN ACCORDANCE WITH NEC SECTION 450-9, ALLOW AT LEAST SIX INCHES
CLEARANCE FOR VENTILATION. CHECK ADDITIONAL NEC AND LOCAL CODES.

X3 - X2 - X1 - -
- H3 - H2 - H1

Note: X0 Terminal at the bottom

X1 - -
X2 - - H1
H3 - H2 - H1
X3 - X2 - X1 -
X3 - X2 - H2 - H1
X3 - H3 - H1



2M000000



3M000000

X0