



# Transformer



\*1M000000\*

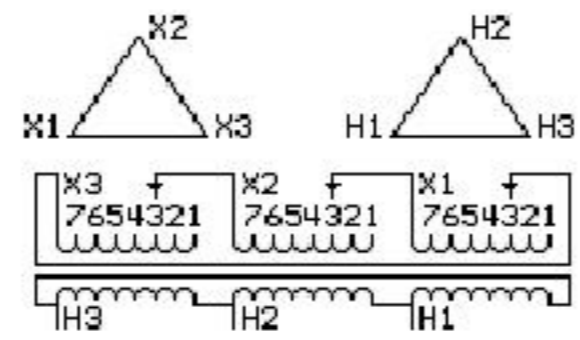
Catalog Number **9Q3A075AAQ01A0TVL0T** Type **QL-TE**

**9T85B3574**

**75.0 KVA 60 HZ 3 PH 3.7 % IMP**

40 C AMB. 150 C RISE 220 C SYSTEM IS-19C

Note: Design is based on 112.5KVA & 150C Rise 5.5% Imp.



JUMPER CONNECTION	
TAP	VOLTS
1	504
2	490
3	480
4	466
5	456
6	442
7	432

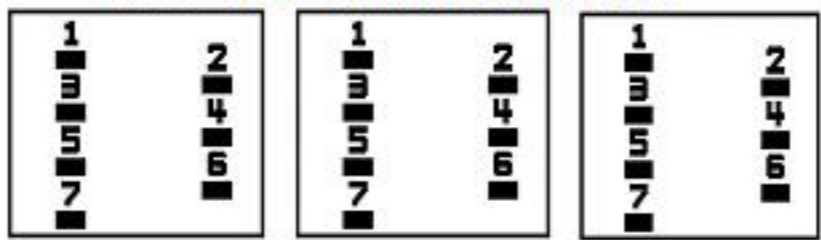
NET WGT  
815 LB  
369.7 Kg

55064  
XV375  
NOG  
072115

INSPECTION & FINAL TEST N530!

PRIMARY (X) 480 VOLTS (LINE-LINE)  
SECONDARY (H) 575 VOLTS (LINE-LINE)

### COIL TAP ARRANGEMENT



ENCLOSURE TYPE 3R (IP22)

Assembled in Mexico

BEFORE HANDLING, INSTALLING AND OPERATING, SEE INSTRUCTION 475A667AAP001 Outline: 303B405AAP075  
ALUMINUM CONDUCTOR PRIMARY: 10 KV BIL SECONDARY: 10 KV BIL

H3 - H2 - H1 - -  
- X3 - X2 - X1

IN ACCORDANCE WITH NEC SECTION 450-9, ALLOW AT LEAST SIX INCHES CLEARANCE FOR VENTILATION. CHECK ADDITIONAL NEC AND LOCAL CODES.

Note: Standard

GE Energy Industrial Solutions

NEMA CLASS AA DRY TYPE TRANSFORMER

Meets TP-1 2002 efficiency

H3 - H2 - H1 -  
- X3 - X2 - X1

