



Transformer



1M000000

Catalog Number

Type QL-TE

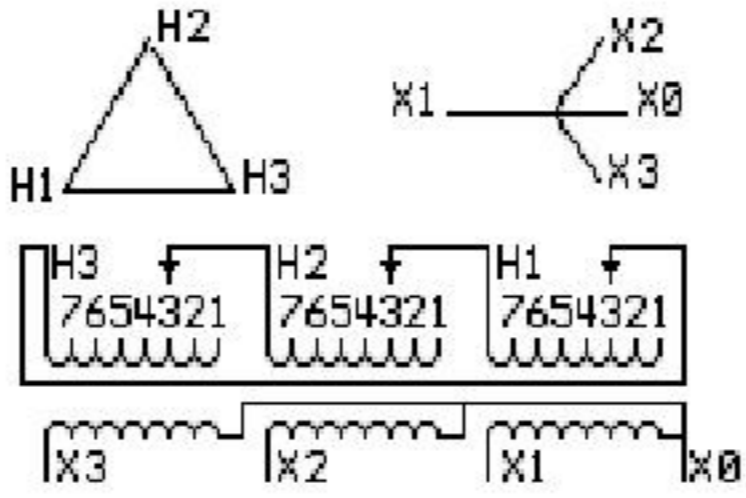
9T85B3853G15

45.0 KVA 60 HZ 3 PH 4.4 % IMP

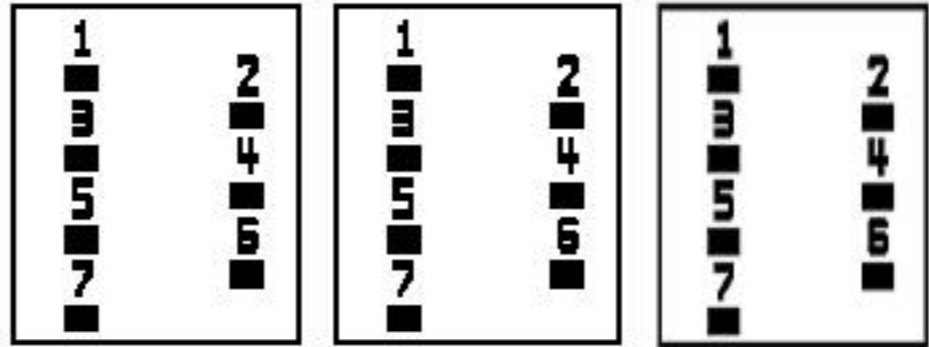
40 C AMB. 115 C RISE 220 C SYSTEM IS-19C

Note: Design is based on 75.00KVA & 115C Rise 7.4% Imp.

PRIMARY (H) 480 VOLTS (LINE-LINE)
 SECONDARY (X) 480 VOLTS (LINE-LINE)
 277 VOLTS (LINE-NEUTRAL)



COIL TAP ARRANGEMENT



JUMPER CONNECTION	
TAP	VOLTS
1	505
2	490
3	480
4	469
5	455
6	444
7	433

NET WGT
670 LB
303.9 Kg

55663
XU374
NOG
072915

INSPECTION
&
FINAL TEST
N531!



LISTED 769G

Assembled in Mexico

ENCLOSURE TYPE 3R (IP22)

BEFORE HANDLING, INSTALLING AND OPERATING, SEE INSTRUCTION 475A667AAP001 Outline: 303B405AAP074
 ALUMINUM CONDUCTOR PRIMARY: 10 KV BIL SECONDARY: 10 KV BIL

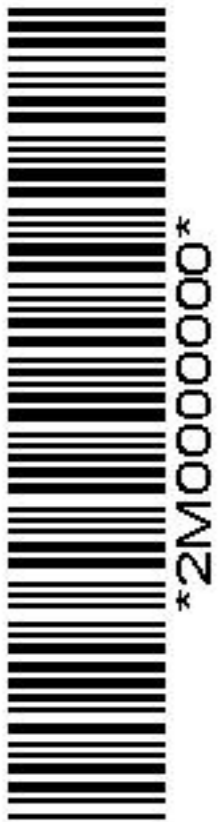
IN ACCORDANCE WITH NEC SECTION 450-9, ALLOW AT LEAST SIX INCHES CLEARANCE FOR VENTILATION. CHECK ADDITIONAL NEC AND LOCAL CODES.

X3 - X2 - X1 - -
 - H3 - H2 - H1

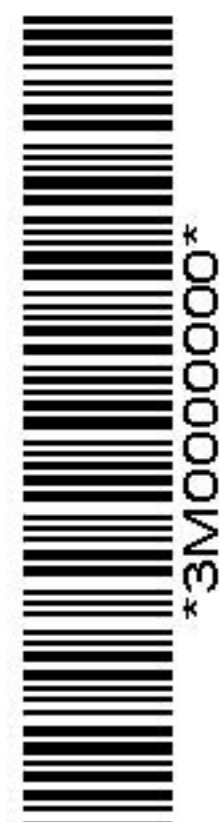
Note: X0 Terminal at the bottom

X1 - - H1
 X2 - - H2
 X3 - - H3
 X1 - - H1
 X2 - - H2
 X3 - - H3

X0



2M000000



3M000000