



Transformer



1M000000

Catalog Number
9T85B3854G15

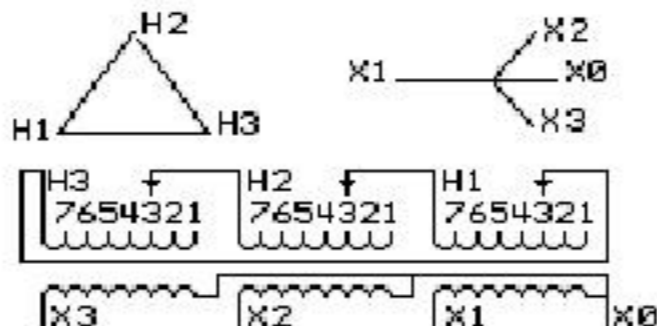
Type **QL-TE**

75.0 KVA 60 HZ 3 PH 3.8 % IMP

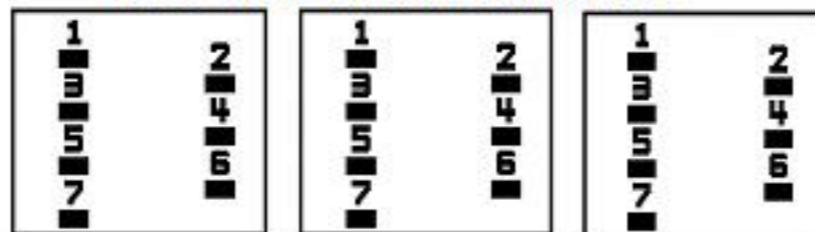
40 C AMB. 115 C RISE 220 C SYSTEM IS-19C

Note: Design is based on 112.5KVA & 150C Rise 5.9% Imp.

PRIMARY (H) 480 VOLTS (LINE-LINE)
SECONDARY (X) 480 VOLTS (LINE-LINE)
277 VOLTS (LINE-NEUTRAL)



COIL TAP ARRANGEMENT



JUMPER CONNECTION TAP	VOLTS
1	502
2	492
3	480
4	468
5	456
6	444
7	430

NET WGT
815 LB
369.7 Kg

55086
XV375

NOG

072115

INSPECTION
&
FINAL TEST
N530!



LISTED 769G

Assembled in Mexico

ENCLOSURE TYPE 3R (IP22)

BEFORE HANDLING, INSTALLING AND OPERATING, SEE INSTRUCTION 475A667AAP001
ALUMINUM CONDUCTOR PRIMARY: 10 KV BIL SECONDARY: 10 KV BIL

Outline: 303B405AAP075

IN ACCORDANCE WITH NEC SECTION 450-9, ALLOW AT LEAST SIX INCHES
CLEARANCE FOR VENTILATION. CHECK ADDITIONAL NEC AND LOCAL CODES.

X3 - X2 - X1 - -
- H3 - H2 - H1

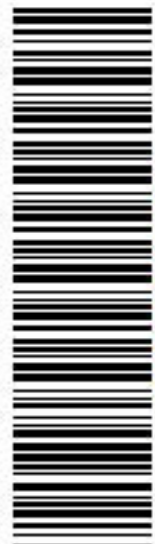
Note: X0 Terminal at the bottom

GE Energy Industrial Solutions

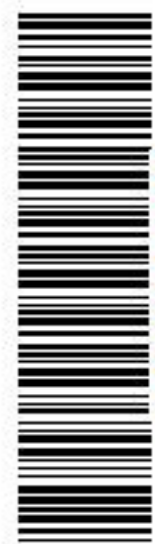
NEMA CLASS AA DRY TYPE TRANSFORMER

Meets TP-1 2002 efficiency

X1 - -
X2 - - H1
H3 - H2 - H1
X3 - X2 - X1 -
X3 - H3 - H2 - H1



2M000000



3M000000

X0