



GE Power Controls

NEW
2000

GE Power Controls
East Lancashire Road
Liverpool L10 5HB

Tel. 0151/524 1122
Fax 0151/524 6247
E-mail: gepcuk@gepc.ge.com



VAT20

Micro Variable Speed Drive

VAT20 is a small, flexible, low cost and well performing AC drive, which covers the power ratings from 0.2kW to 2.2kW at 200-240V single phase power source.

The VAT20 meets global UL and CSA standards, including a built-in Class A EMC filter as standard. An optional DIN-rail mounting kit is also available.

The performances of the VAT20 are more than the expected for that range of drives including a reliable set of both motor and drive protections, keypad and display, programmable digital and analogue I/O, multimode frequency setting, jog function, DC braking and other functions only available in high performance drives.

SPECIFICATIONS

1-phase systems 200-240VAC 50/60Hz

Power ratings of 0.2-2.2kW: 5 ratings in 2 frames

150% / 60 s.

Indoor, not in contact with corrosive or inflammable gas
Temperature range -10 to 40°C, humidity 95% non-condensation

IP20

Built-in keypad with LED display

UL & CSA

CE marking

- Class A with EMC built-in filters
- Class B with external foot-print filter

VOLTAGE RATINGS

APPLICABLE MOTOR

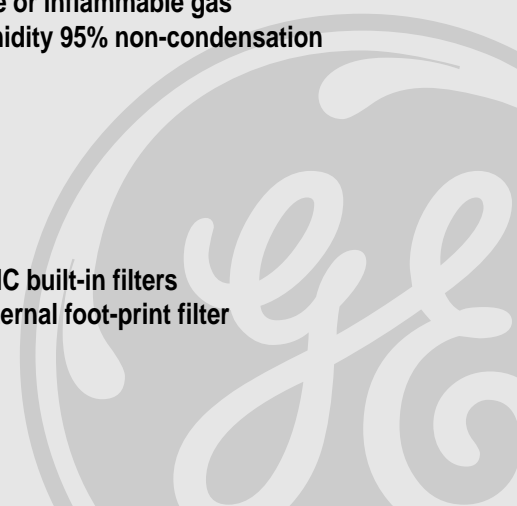
OVERLOAD CAPACITY

INSTALLATION ENVIRONMENT

PROTECTION DEGREE

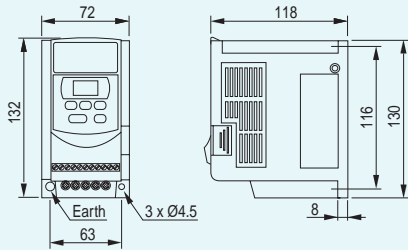
OPERATOR INTERFACE

STANDARDS

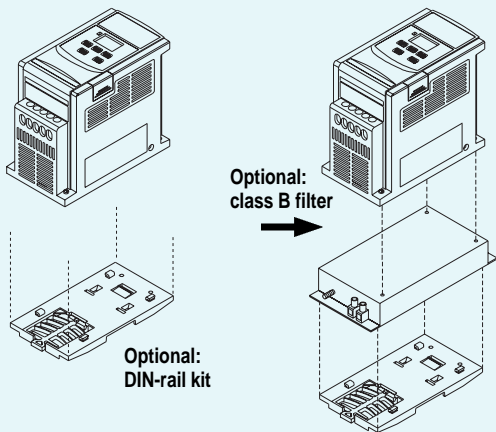
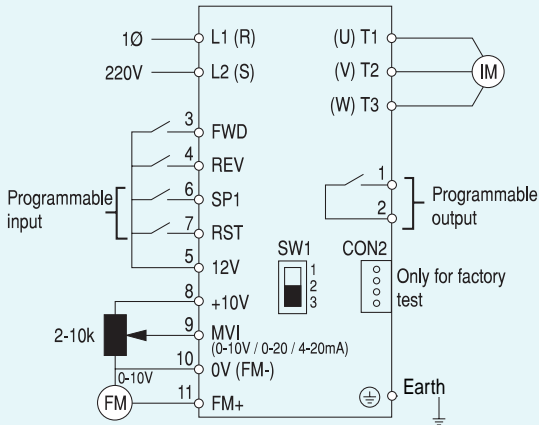
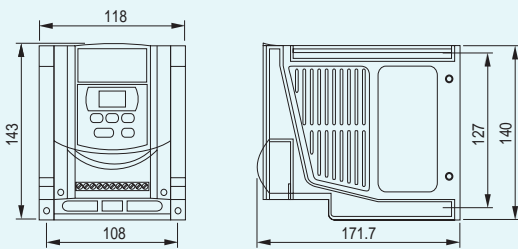


VAT20

Frame 1



Frame 2



VAT20 drives		U20N0K2S	U20N0K4S	U20N0K7S	U20N1K5S	U20N2K2S
Power ratings						
Motor power	(kW)	0.2	0.4	0.75	1.5	2.2
	(HP)	1/4	1/2	1	2	3
Output current	(A)	1.4	2.3	4.2	7.5	10.5
Input power	(kVA)	0.53	0.88	1.6	2.9	4.0
Voltage ratings						
Input	Single phase 200/240V (+10%, -15%), 50/60Hz (±5%)					
Output	Three phase 200/240V					
Weight	(kg)	0.76	0.77	0.8	1.5	1.6
Control specifications						
Main circuit	IPM, sinusoidal wave PWM inverter					
Output frequency	0-120Hz					
Setting resolution	Digital: 0.1Hz					
	Analogue: 0.1%					
Carrier frequency	Selectable 1-8kHz					
Operation						
I/O configuration	Two fixed and two programmable digital inputs One programmable relay output One configurable 0-10V, 4-20mA analogue input One programmable analogue output					
Acceleration/ deceleration	Linear 0.1-999 s.					
Speed setting	Keypad panel: by ▲ and ▼ keys Terminal board: multi-speed operation Analogue setting: by potentiometer By voltage signal 0-10V or current signal 0-20mA					
Operating command	Forward / reverse run, and jog.					
Stopping system	Either ramp down or coast to stop					
Braking	DC braking and dynamic braking (torque 20%)					
Protections	Overload, overvoltage, undervoltage, power loss, stall prevention, output short-circuit and overtemperature					
Other functions	Frequency upper/lower limits, torque boost, multispeed operation, auto re-start with 5 tries, flying start, inverse time electronic motor protection and fault trace					

Order codes

Motor power (kW)		Cat. no.	Code
0.2	frame 1	U20N0K2S	167075
0.4	frame 1	U20N0K4S	167076
0.75	frame 1	U20N0K7S	167077
1.5	frame 2	U20N1K5S	167078
2.2	frame 2	U20N2K2S	167079
Accessories			
Class B filter	frame 1	U20AF0K7	167085
	frame 2	U20AF2K2	167086
DIN-rail kit		U20AR0K7	167087

