



New Emergency Push-Button

Series P9



GE imagination at work

Style

New improved ergonomic conical design ensures positive actuation and a more comfortable feel for users.

Double insulation

All versions are manufactured in thermoplastic complementing the existing range of round plastic operators, are double insulated for operator safety and suitable for use in corrosive environments.

Standards

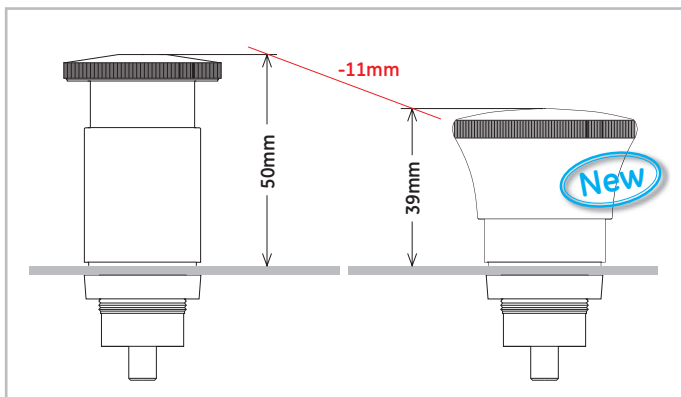
All operator types are positive break and fully comply with the requirements EN 418 machinery safety standards.

Mounting

Fitted for panels 1 to 6mm thick. Drilling in accordance with IEC 60947-5-1. Minimum distance to guarantee correct fixing is 35 x 35mm.

Projection

Reduced front of panel projection significantly improves appearance whilst providing differentiation from other operator functions (push-buttons, lamps, selector switches etc.).



3 types

Description	Emergency Push-Button			Push-Button Station		
	Cat. no.	Ref. no.	Pack	Cat. no.	Ref. no.	Pack
E-stop mushroom 40mm red - latch twist-release EN 418	P9XER4RAN	185077	5	P9EPAG1Y01N	189007	1
E-stop mushroom 40mm red - status indication - latch twist-release EN 418	P9XER4RAW	185078	5	P9EPAG1Y01W	189008	1
E-stop mushroom 40mm red - latch key-release EN 418	P9XER4RA95N*	185079	5	P9EPAG1Y06N	189009	1

* With 2 keys code 3095



Technical data

- **Positive opening**
Over centre device provides positive action even if the actuator is partially depressed (anti tease). Contacts open only after latching mechanism operates. Tamperproof mechanism is sealed to prevent interference.
- **Compliance with standards**
IEC 947.5.1 – VDE0660 – UTE – BSI – NEMA – CENELEC EN 50007
- **Approvals**
UL – CSA
- **Degree of protection**
IP 66 in accordance with CENELEC EN 60529 suitable for use in enclosures type 1-3-3R-3S-4-4X-12-13 to UL 508
- **Rated insulation voltage:** 690V AC/DC according to EN 60947.1
- **Impulse withstand voltage:** 4kV according to EN 60947.1
- **Electrical rating:** rated thermal current I_{th} = 10A

Performances according IEC 947.5.1

Categorie AC 15								
Voltage	Ue (V)	24	48	60	110	220	380	600
Current	Ie (A)	10	10	10	6	3	2	1.5
Categorie DC 13								
Voltage	Ue (V)	24	48	60	110	220	300	
Current	Ie (A)	2.5	1.4	1	0.55	0.27	0.2	

Performances according to CSA and UL

AC Heavy Duty	(A600)
DC Standard Duty	(Q300)

Temperature ranges

Operation	-25 °C to + 70 °C
Storage	-40 °C to + 70 °C

Climatic conditions

The standard versions are suitable for use in the following climates:

Temperate climate	cat. 23/50 (DIN 50014)
Wet climate	cat. 23/83 (DIN 50015)
Hot wet climate	cat. 40/92 (DIN 50015)
Variable wet climate	FW24 (DIN 50016)

Mechanical life: 0.3 million operations

Max. number of contact blocks

Screw terminal	max. 2 for a total of 4 electrical contacts
Faston terminal	max. 2 for a total of 2 electrical contacts



GE INDUSTRIAL SOLUTIONS
International Sales
Nieuwevaart 51
9000 Gent - Belgium

Tel. +32/9 265 21 11
E-mail: gepcbel@gepc.ge.com
www.ge.com/ex/industrialsolutions

GE POWER CONTROLS Ltd
Lincoln Road, Enfield
Middlesex EN1 1SB
United Kingdom

Tel. 0800 587 1251
E-mail: gepcuk@gepc.ge.com
www.ge.com/eu/industrialsolutions