

Document control	Revision

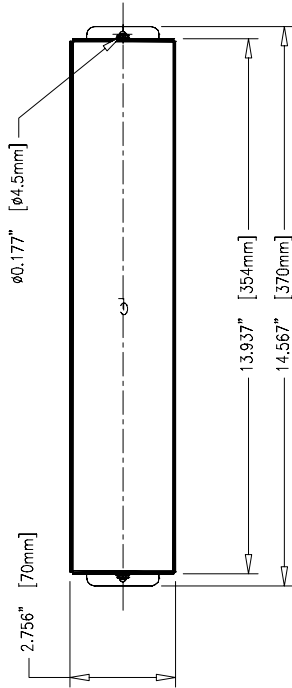
Reference	Revision
CLMD33C	-

This document must not be copied without our written permission, and the contents here of must not be imparted to a third party nor any unauthorized purpose. Contravention will be prosecuted. ABB

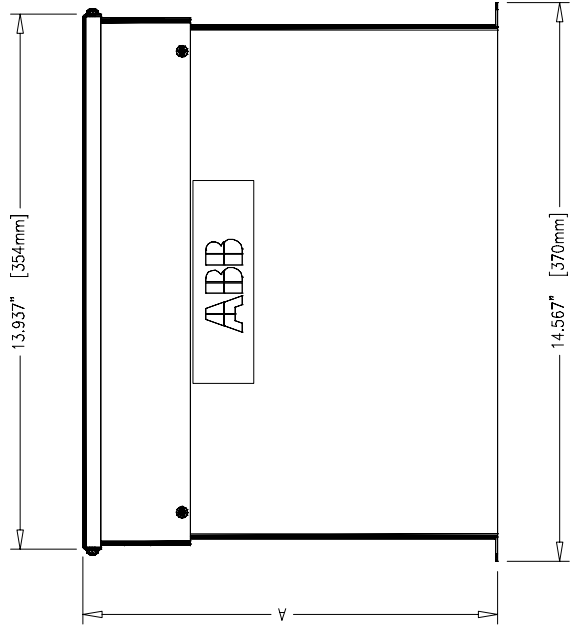
## CAPACITOR TYPE CLMD33C, CLMD33C-F

TABLE #1

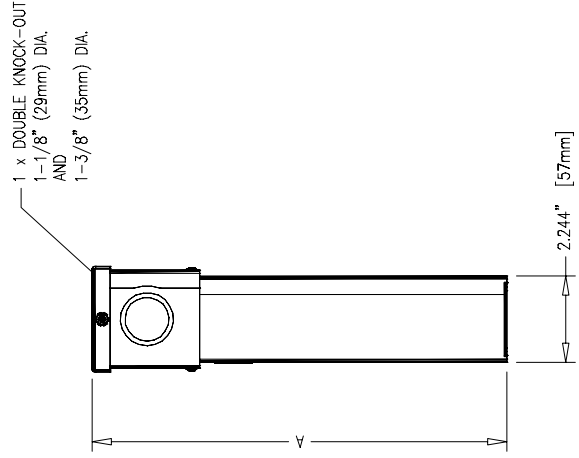
Enclosure	Dimension "A"	Type
CLMD33C	10.804" [274.43mm]	Type 1 Standard
CLMD33C-F	14.741" [374.43mm]	Type 1 with Fuses



TOP VIEW

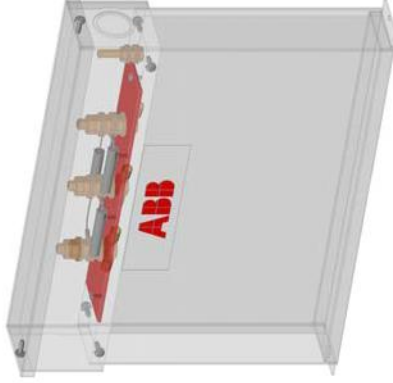


FRONT VIEW

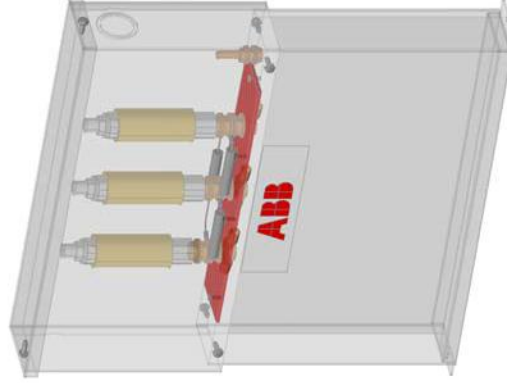


SIDE VIEW

CLMD33C



CLMD33C-F



No.	Revision	Appd.	Year	Week	Description	Drawing No.	Sheet
					CAPACITOR UNIT TYPE "CLMD33C, CLMD33C-F" TYPE 1 NON-FUSIBLE	CLMD33C	1
							Cont.
							-

Design checked by	Drawing Type	Dept.	Year	Week
A. MORIN	MECHANICAL DRAWING ASSEMBLY	EN	10	15
Drawing checked by	ABB Inc.			
A. MORIN				
Drawn by				
A. MORIN				

Contract No.	Drawing No.
	CLMD33C