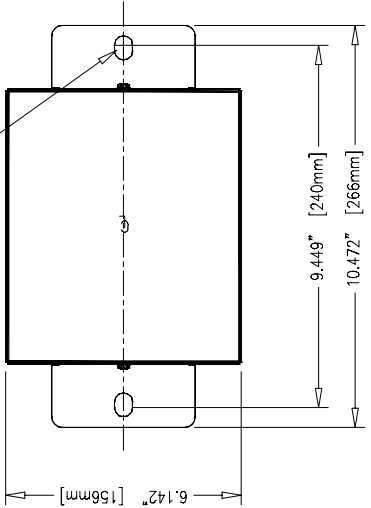


Document control	Revision
Reference	Revision
CLMD43-44	-

This document must not be copied without our written permission, and the contents hereof must not be imparted to a third party nor any unauthorized purpose. Contravention will be prosecuted. ABB

CAPACITOR TYPE CLMD'S "43-44"

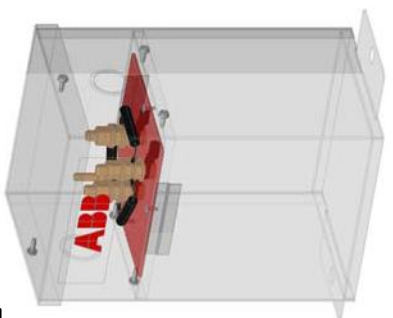


TOP VIEW

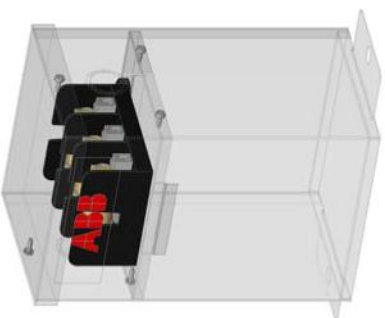
TABLE #1

Enclosure	Type
CLMD43	Type 1-12 Standard
CLMD44	Type 1-12 with Fuses

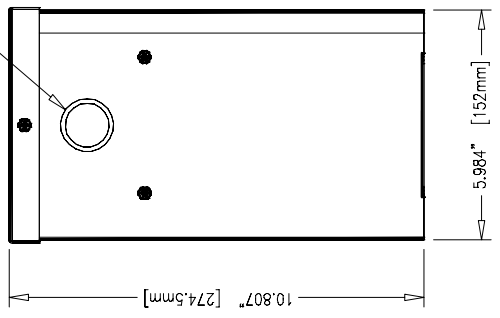
CLMD43



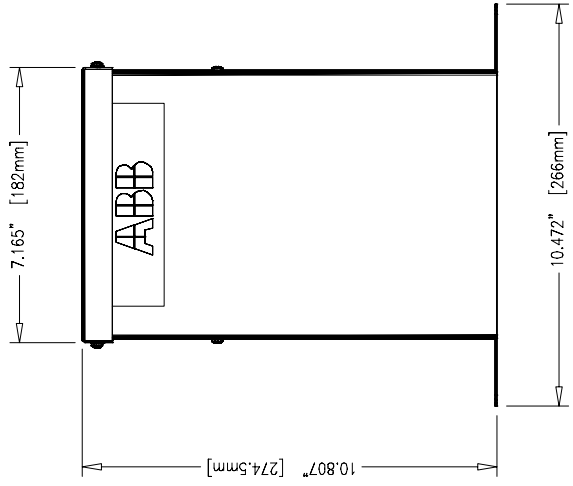
CLMD44



2 x DOUBLE KNOCK-OUT
1-1/8" (29mm) DIA.
AND
1-3/8" (35mm) DIA.



SIDE VIEW



FRONT VIEW

No.	Revision	Appd.	Year	Week	Description CAPACITOR UNIT TYPE "CLMD43-44" TYPE 1-12 NON-FUSIBLE AND FUSIBLE	Design checked by A. MORIN	Drawing checked by A. MORIN	Drawn by A. MORIN	Dept. EN	Year 10	Week 15	Drawing No. CLMD43-44	Contract No.	Sheet 1