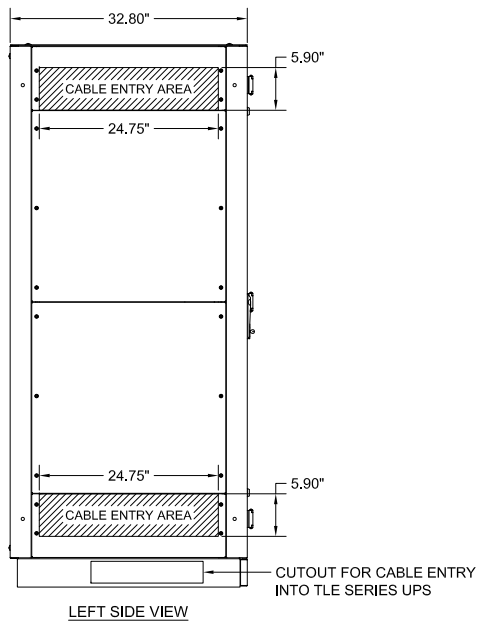
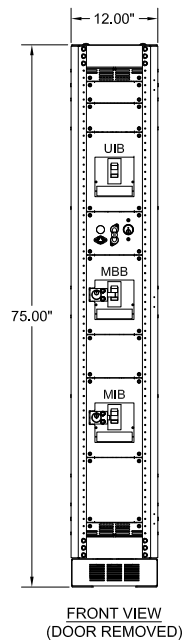


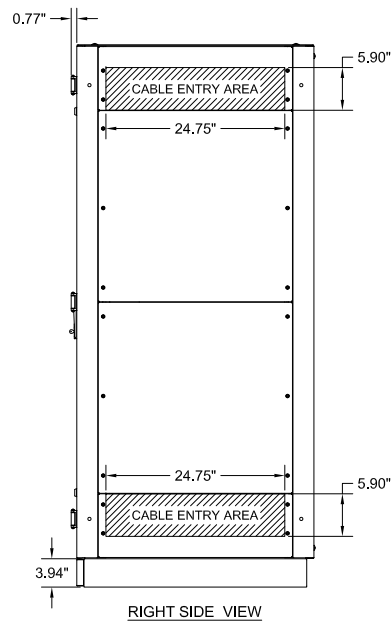
TOP VIEW



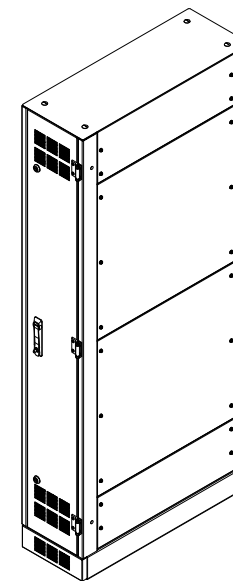
LEFT SIDE VIEW



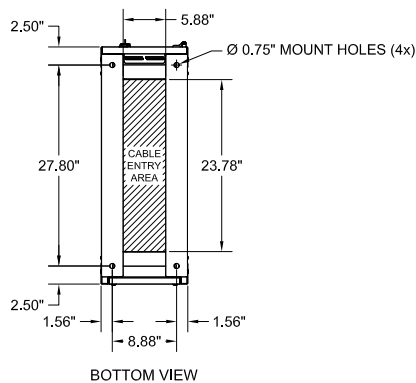
FRONT VIEW
(DOOR REMOVED)



RIGHT SIDE VIEW




ISOMETRIC VIEW



BOTTOM VIEW

NOTES:

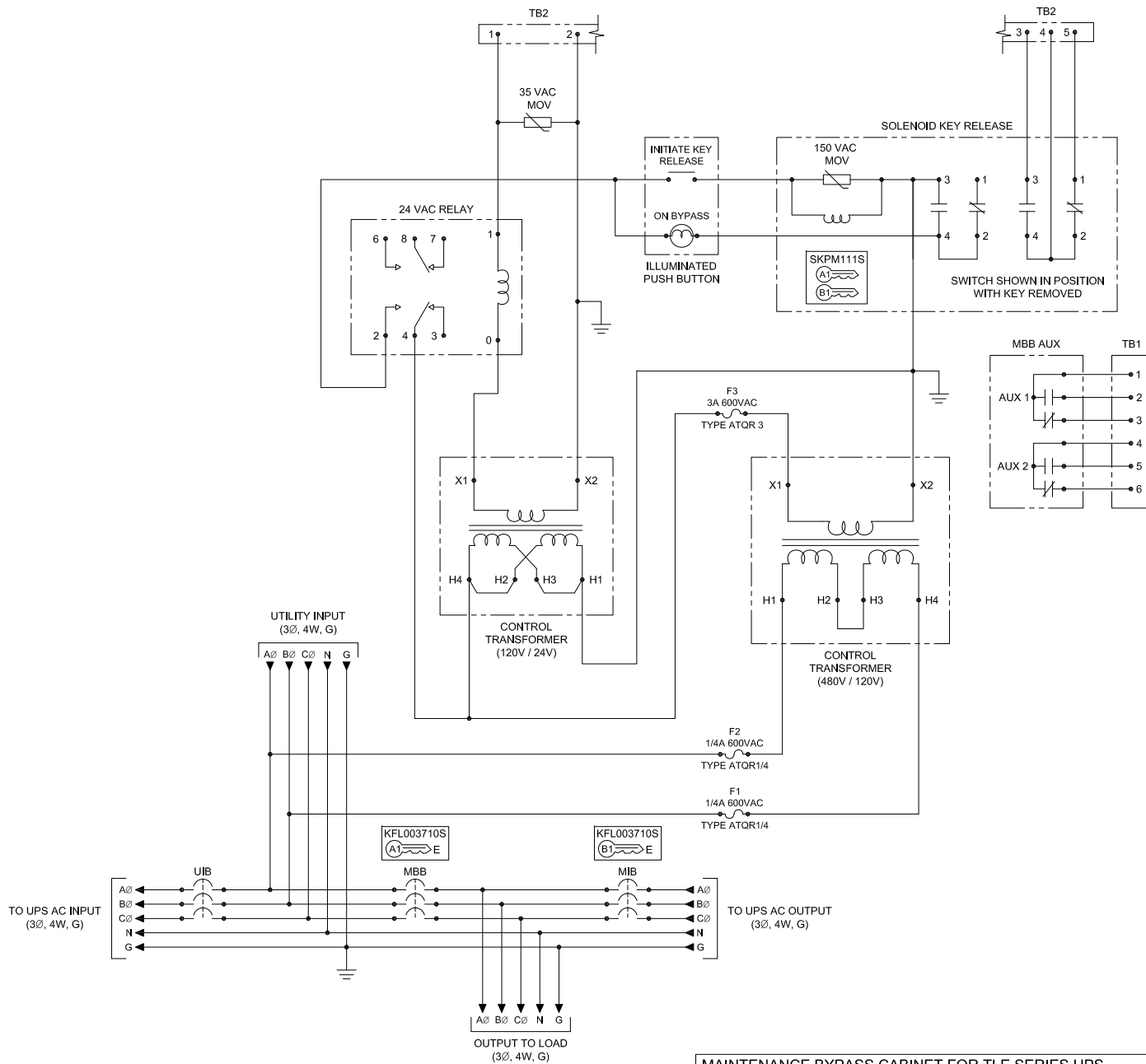
1. APPROXIMATE WEIGHT: 350 LBS.
2. ASSEMBLY IS UL/CUL LISTED TO UL 891 AND C22.2 NO. 244.
3. NEMA 1 TYPE ENCLOSURE.
4. THE CABINET IS CONSTRUCTED FROM GALVANIZED STEEL.
5. THE CABINET IS TO BE MOUNTED THROUGH THE 0.750" HOLES IN THE CABINET LEGS. THE LEGS ARE FORMED FROM 10 GAUGE STEEL.
6. FINISH IS BLACK POWDER COAT ON ALL EXTERNAL AND VISIBLE SURFACES. INTERIOR PANELS AND MOUNT BRACKETS ARE GALVANIZED FINISH.

MAINTENANCE BYPASS CABINET FOR TLE SERIES UPS 40-225KVA, 277V/480V, 3Ø/4W/G, 3 BREAKER WITH SKRU INTERLOCK CONFIGURATION 12			
<small>THE INFORMATION CONTAINED IN THIS DRAWING IS THE SOLE PROPERTY OF C&C POWER, INC. ANY REPRODUCTION WITHOUT THE WRITTEN CONSENT OF C&C POWER, INC IS PROHIBITED.</small>			
<small>DIMENSIONS ARE IN INCHES</small>		<small>INITIALS</small> <small>DATE</small>	
<small>TOLERANCES:</small> <small>DECIMALS: .XX ±.13</small> <small>ANGLES: .XXX ±.082</small>	<small>DRAWN</small> <small>CHECKED</small>	<small>CH</small> <small>CH</small>	<small>3/6/2019</small> <small>3/6/2019</small>
<small>SCALE: NTS</small> <small>SIZE: A</small> <small>REV: 5</small>	SHEET 1 OF 2		 <small>Electrification Product Group</small> <small>EP Industrial Solutions Division</small> <small>Manufactured by C&C Power for ABB</small> <small>©2019 C&C POWER, INC. ALL RIGHTS RESERVED</small>

DRAWING # 98813-C-12-SD01-1 REV 5


CIRCUIT BREAKER SUMMARY

KVA	AIC	BREAKER MODEL	LOCATION	TRIP	WIRE RANGE
40	25K @ 480VAC	SEHA36AT0100	UIB	80A	(1) 12 - 3/0
		SEHA36AT0060	MBB & MIB	60A	
	65K @ 480VAC	SELA36AT0100	UIB	80A	
		SELA36AT0060	MBB & MIB	60A	
50	25K @ 480VAC	SEHA36AT0100	UIB, MBB, & MIB	90A	(1) 12 - 3/0
		SELA36AT0100	UIB, MBB, & MIB	90A	
80 & 100	35K @ 480VAC	SFHA36AT0250	UIB, MBB, & MIB	175A	(1) 8 - 350
		SFLA36AT0250	UIB, MBB, & MIB	175A	
120	35K @ 480VAC	SFHA36AT0250	UIB	250A	(1) 8 - 350
			MBB & MIB	200A	
	65K @ 480VAC	SFLA36AT0250	UIB	250A	
			MBB & MIB	200A	
150 & 160	35K @ 480VAC	SGHA36AT0400	UIB	300A	(2) 2/0 - 500 OR (1) 8 - 600
			MBB & MIB	250A	
	65K @ 480VAC	SGLA36AT0400	UIB	300A	
			MBB & MIB	250A	
200	35K @ 480VAC	SGHA36AT0400	UIB	350A	(2) 2/0 - 500 OR (1) 8 - 600
			MBB & MIB	300A	
	65K @ 480VAC	SGLA36AT0400	UIB	350A	
			MBB & MIB	300A	
225	35K @ 480VAC	SGHA36AT0400	UIB	400A	(2) 2/0 - 500 OR (1) 8 - 600
			MBB & MIB	350A	
	65K @ 480VAC	SGLA36AT0400	UIB	400A	
			MBB & MIB	350A	



- NOTES:**
- "UIB" UPS INPUT BREAKER.
 - "MBB" MAINTENANCE BYPASS BREAKER.
 - "MIB" MAINTENANCE ISOLATION BREAKER.
 - ALL INTERNAL ELECTRICAL CONNECTIONS BETWEEN "UIB", "MBB" AND "MIB" ARE MADE USING COPPER BUS BARS.
 - 600A RATED NEUTRAL BUS PROVIDED WITH MECHANICAL LUGS THAT ACCEPT A TOTAL OF (8) #6 - 350 MCM CABLES.
 - GROUND LUG ACCEPTS (4) #6 - 250 MCM CABLES.
 - MECHANICAL LUGS USED FOR THE UTILITY INPUT & THE OUTPUT TO LOAD HAVE THE SAME WIRE RANGE AS THE CIRCUIT BREAKERS.
 - VOLTAGE BETWEEN THE AØ AND BØ MUST BE 480V±10% FOR THE SKRU CIRCUIT TO FUNCTION PROPERLY.
 - CABLE KIT PROVIDED FOR CONNECTIONS TO UPS AC INPUT, UPS AC OUTPUT, AND TB2 TO UPS. CABLE KIT SIZED FOR SIDE BY SIDE LINE UP WITH UPS. BYPASS MUST BE MOUNTED TO THE RIGHT SIDE OF THE UPS.
 - THIS DRAWING IS TO BE USED FOR ELECTRICAL PURPOSES ONLY AND DOES NOT REPRESENT THE ACTUAL MECHANICAL LAYOUT OF THE EQUIPMENT.

- KIRK KEY NOTES:**
- THE "E" OR "W" NEXT TO THE INTERLOCK INDICATES THE POSITION OF THE INTERLOCK BOLT WHEN THE KEY IS REMOVABLE. "E" = EXTENDED AND "W" = WITHDRAWN.
 - THE KEY OR KEYS NEXT TO THE INTERLOCK INDICATES THE KEY NUMBER THAT FUNCTIONS WITH THE INTERLOCK.

<p>MAINTENANCE BYPASS CABINET FOR TLE SERIES UPS 40-225KVA, 277V/480V, 3Ø/4W/G, 3 BREAKER WITH SKRU INTERLOCK CONFIGURATION 12</p>		
<p>THE INFORMATION CONTAINED IN THIS DRAWING IS THE SOLE PROPERTY OF C&C POWER, INC. ANY REPRODUCTION WITHOUT THE WRITTEN CONSENT OF C&C POWER, INC IS PROHIBITED.</p>		
<p>DIMENSIONS ARE IN INCHES</p> <p>TOLERANCES:</p> <p>DECIMALS: .XX ±.13</p> <p>ANGLES: .XXX ±.082</p> <p>SCALE: SEE A</p>	<p>INITIALS</p> <p>DRAWN CH</p> <p>CHECKED CH</p>	<p>DATE</p> <p>3/6/2019</p> <p>3/6/2019</p>
<p>REVISIONS</p> <p>REV: 5</p>		<p>SHEET 2 OF 2</p>
<p>© 2019 C&C POWER, INC. ALL RIGHTS RESERVED</p>		 <p>Electrical Products Group EP Industrial Solutions Division Manufactured by C&C Power for ABB</p>

DRAWING # 98813-FC-12-SD01-2 REV 5