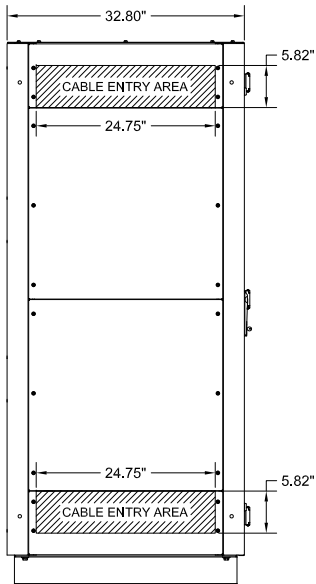
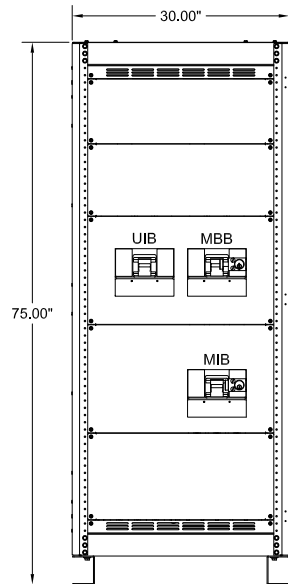


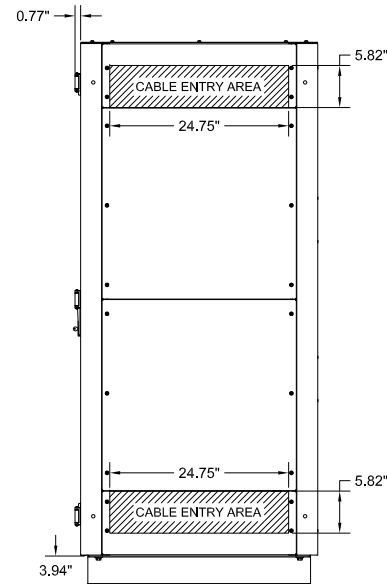
TOP VIEW



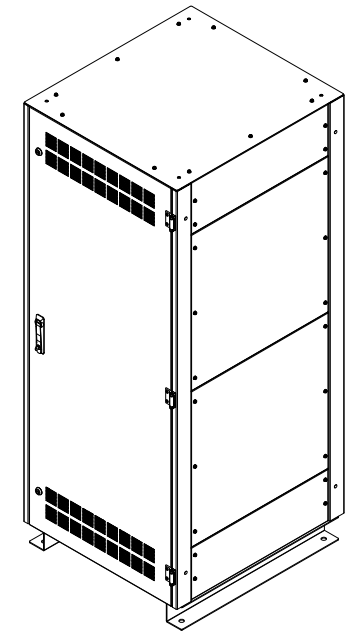
LEFT SIDE VIEW



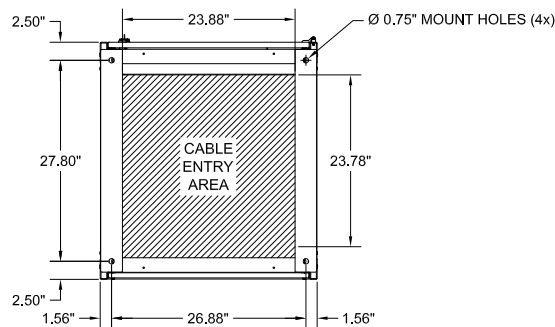
FRONT VIEW
(DOOR REMOVED)



RIGHT SIDE VIEW




ISOMETRIC VIEW



BOTTOM VIEW

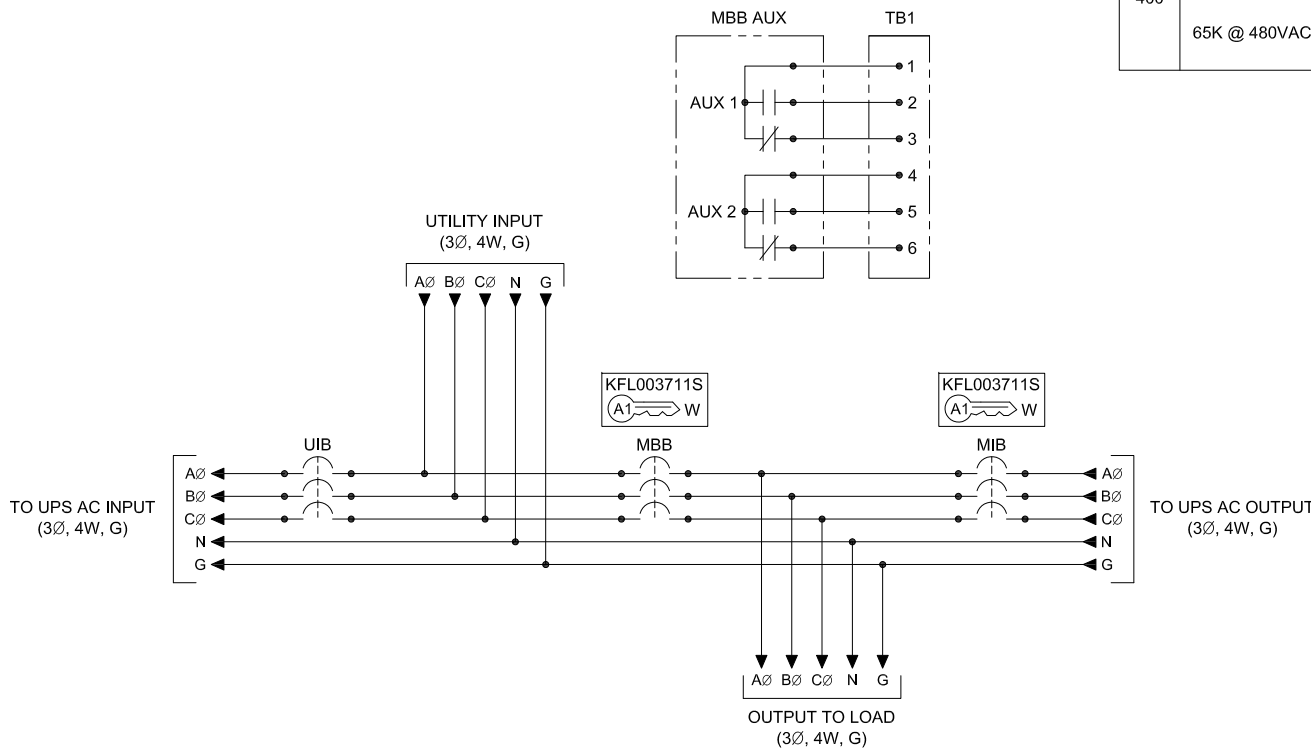
- NOTES:
1. APPROXIMATE WEIGHT: 550 LBS.
 2. ASSEMBLY IS UL/CUL LISTED TO UL 891 AND C22.2 NO. 244.
 3. NEMA 1 TYPE ENCLOSURE.
 4. THE CABINET IS CONSTRUCTED FROM GALVANIZED STEEL.
 5. THE CABINET IS TO BE MOUNTED THROUGH THE 0.750" HOLES IN THE CABINET LEGS. THE LEGS ARE FORMED FROM 10 GAUGE STEEL.
 6. FINISH IS POWDER COAT ON ALL EXTERNAL AND VISIBLE SURFACES. INTERIOR PANELS AND MOUNT BRACKETS ARE GALVANIZED FINISH.
 7. CABINET LEGS ARE REVERSIBLE FOR EASY ACCESS TO CABINET FLOOR MOUNTING HARDWARE.

MAINTENANCE BYPASS CABINET FOR TLE SERIES UPS 250-400KVA, 277V/480V, 3Ø/4W/G, 3 BREAKER			
INTERLOCK CONFIGURATION 2			
<small>THE INFORMATION CONTAINED IN THIS DRAWING IS THE SOLE PROPERTY OF C&C POWER, INC. ANY REPRODUCTION WITHOUT THE WRITTEN CONSENT OF C&C POWER, INC IS PROHIBITED.</small>			
<small>DIMENSIONS ARE IN INCHES</small>		<small>INITIALS</small> TD	<small>DATE</small> 8/22/2019
<small>TOLERANCES:</small> DECIMALS: .XX ±.13 ANGLES: .XXX ±.082 ±1"		<small>CHECKED</small> CH	<small>SCALE</small> NTS A
<small>SCALE</small> NTS A		<small>REV</small> 5	SHEET 1 OF 2
© 2017 C&C POWER, INC. ALL RIGHTS RESERVED			Electrifications Product Group EP Industrial Solutions Division Manufactured by C&C Power for ABB

DRAWING # 9837-F-C2-SD01-1 REV 5

CIRCUIT BREAKER SUMMARY

KVA	AIC	BREAKER MODEL	LOCATION	TRIP	WIRE RANGE
250	35K @ 480VAC	LD3450	UIB	450A (TMAG)	(2) 4 - 4/0
		LD3400	MBB & MIB	400A (TMAG)	(1) 4/0 - 600
	65K @ 480VAC	HLD3450	UIB	450A (TMAG)	(2) 4 - 4/0
		HLD3400	MBB & MIB	400A (TMAG)	(1) 4/0 - 600
300	35K @ 480VAC	LD3600	UIB	600A (TMAG)	(2) 400 - 500
		LD3500	MBB & MIB	500A (TMAG)	(2) 3/0 - 350
	65K @ 480VAC	HLD3600	UIB	600A (TMAG)	(2) 400 - 500
		HLD3500	MBB & MIB	500A (TMAG)	(2) 3/0 - 350
400	35K @ 480VAC	CLDB3600FT33	UIB	600A (100% RATED LS)	(2) 400 - 500
		LD3600	MBB & MIB	600A (TMAG)	(2) 400 - 500
	65K @ 480VAC	CHLDB3600FT33	UIB	600A (100% RATED LS)	(2) 400 - 500
		HLD3600	MBB & MIB	600A (TMAG)	(2) 400 - 500



NOTES:

- "UIB" UPS INPUT BREAKER
- "MBB" MAINTENANCE BYPASS BREAKER
- "MIB" MAINTENANCE ISOLATION BREAKER
- ALL INTERNAL CONNECTIONS BETWEEN "UIB", "MBB" AND "MIB" ARE MADE USING COPPER BUS BARS.
- 1500A NEUTRAL BUS PROVIDED WITH MECHANICAL LUGS THAT ACCEPT A TOTAL OF (12) #2 - 600 MCM CABLES.
- GROUND LUG ACCEPTS (4) #6 - 250 MCM CABLES.
- MECHANICAL LUGS USED FOR THE UTILITY INPUT & THE OUTPUT TO LOAD ACCEPT (2) #4 - 600 MCM CABLES PER PHASE.
- THIS DRAWING IS TO BE USED FOR ELECTRICAL PURPOSES ONLY AND DOES NOT REPRESENT THE ACTUAL MECHANICAL LAYOUT OF THE EQUIPMENT.

KIRK KEY NOTES:

- THE "E" OR "W" NEXT TO THE INTERLOCK INDICATES THE POSITION OF THE INTERLOCK BOLT WHEN THE KEY IS REMOVABLE. "E" = EXTENDED AND "W" = WITHDRAWN.
- THE KEY OR KEYS NEXT TO THE INTERLOCK INDICATES THE KEY NUMBER THAT FUNCTIONS WITH THE INTERLOCK.

<p>MAINTENANCE BYPASS CABINET FOR TLE SERIES UPS 250-400KVA, 277V/480V, 3Ø/4W/G, 3 BREAKER</p>			
<p>INTERLOCK CONFIGURATION 2</p>			
<p>THE INFORMATION CONTAINED IN THIS DRAWING IS THE SOLE PROPERTY OF C&G POWER, INC. ANY REPRODUCTION WITHOUT THE WRITTEN CONSENT OF C&G POWER, INC IS PROHIBITED.</p>			
<p>DIMENSIONS ARE IN INCHES</p>		<p>INITIALS DATE</p>	
<p>TOLERANCES:</p>		<p>DRAWN TD 8/22/2019</p>	
<p>DECIMALS: ANGLES: ±1"</p>		<p>CHECKED CH --/--</p>	
<p>.XX ±.13</p>		<p>SCALE: SIZE: REV: 4</p>	
<p>.XXX ±.082</p>		<p>SHEET 2 OF 2</p>	
<p>NTS</p>		<p>© 2017 C&G POWER, INC. ALL RIGHTS RESERVED</p>	



Electrification's Product Group
 EP Industrial Solutions Division
 Manufactured by C&G Power for ABB