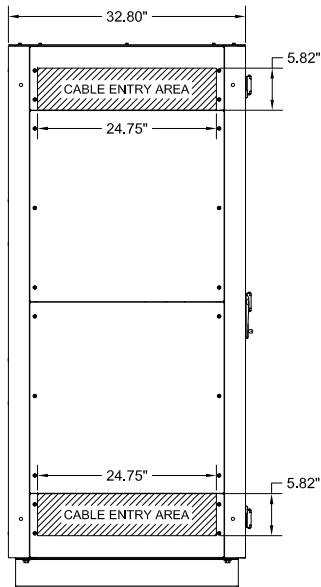
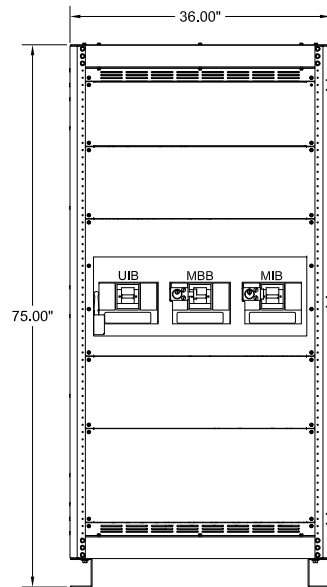


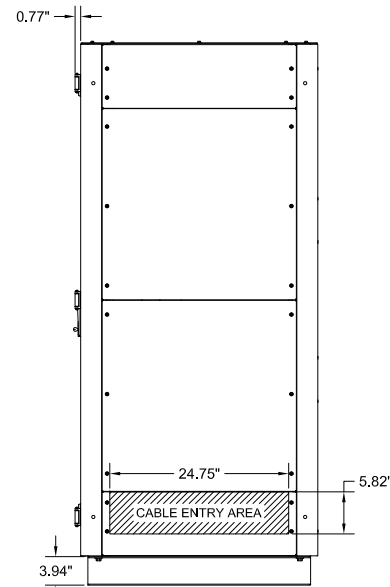
TOP VIEW



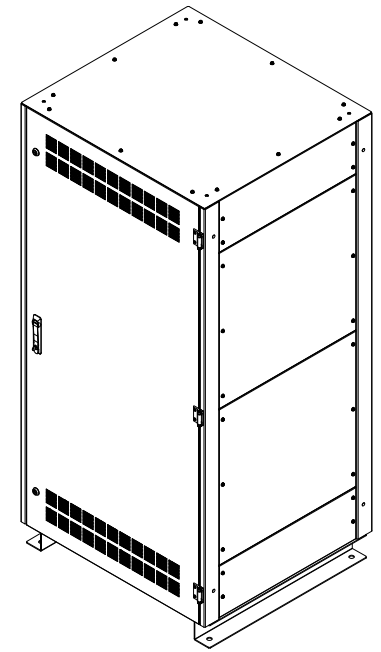
LEFT SIDE VIEW



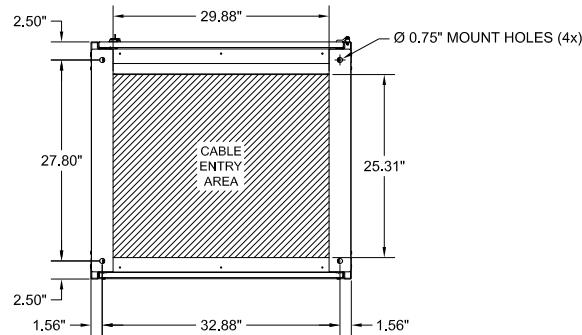
FRONT VIEW  
(DOOR REMOVED)



RIGHT SIDE VIEW




ISOMETRIC VIEW



BOTTOM VIEW

NOTES:

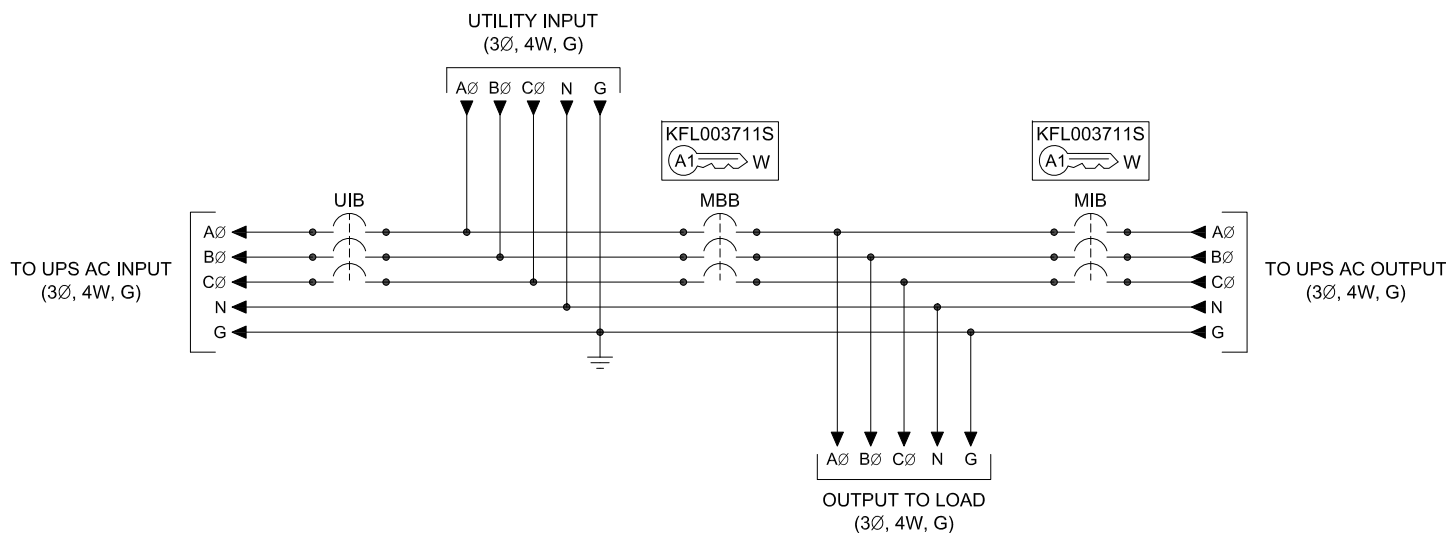
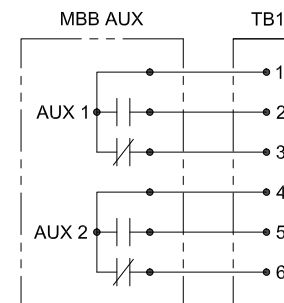
1. APPROXIMATE WEIGHT: 760 LBS.
2. ASSEMBLY IS UL/CUL LISTED TO UL 891 AND C22.2 NO. 244.
3. NEMA 1 TYPE ENCLOSURE.
4. THE CABINET IS CONSTRUCTED FROM GALVANIZED STEEL.
5. THE CABINET IS TO BE MOUNTED THROUGH THE 0.750" HOLES IN THE CABINET LEGS. THE LEGS ARE FORMED FROM 10 GAUGE STEEL.
6. FINISH IS POWDER COAT ON ALL EXTERNAL AND VISIBLE SURFACES, INTERIOR PANELS AND MOUNT BRACKETS ARE GALVANIZED FINISH.
7. CABINET LEGS ARE REVERSIBLE FOR EASY ACCESS TO CABINET FLOOR MOUNTING HARDWARE.

<b>MAINTENANCE BYPASS CABINET FOR TLE SERIES UPS</b> <b>500-750KVA, 277V/480V, 3Ø/4W/G, 3 BREAKER</b>			
<b>INTERLOCK CONFIGURATION 2</b>			
<small>THE INFORMATION CONTAINED IN THIS DRAWING IS THE SOLE PROPERTY OF C&amp;C POWER, INC. ANY REPRODUCTION WITHOUT THE WRITTEN CONSENT OF C&amp;C POWER, INC IS PROHIBITED.</small>			
<small>DIMENSIONS ARE IN INCHES</small>		<small>INITIALS</small> TD	<small>DATE</small> 8/22/2019
<small>TOLERANCES:</small> DECIMALS: .XX ±.13 .XXX ±.082		<small>ANGLES:</small> ±1°	<small>CHECKED</small> CH
<small>SCALE:</small> NTS	<small>SIZE:</small> A	<small>REV:</small> 3	SHEET 1 OF 2
©2019 C&C POWER, INC. ALL RIGHTS RESERVED			EP Industrial Solutions Division Manufactured by C&C Power for ABB

DRAWING # 9838-FC2SD01-1 REV 3

**CIRCUIT BREAKER SUMMARY**

KVA	AIC	LOCATION	BREAKER MODEL	TRIP	WIRE RANGE
500	50K @ 480VAC	UIB	CMDLB3800FT33	700A (100% LS)	(3) 3/0 - 400
		MBB & MIB	MDL3800	800A (TMAG)	(3) 3/0 - 400
	65K @ 480VAC	UIB	CHMDLB3800FT33	700A (100% LS)	(3) 3/0 - 400
		MBB & MIB	HMDL3800	800A (TMAG)	(3) 3/0 - 400
625	50K @ 480VAC	UIB	NGS312033EC	1000A (100% RATED LS)	(4) 4/0 - 500
		MBB & MIB		800A (100% RATED LS)	(4) 4/0 - 500
	65K @ 480VAC	UIB	NGH312033EC	1000A (100% RATED LS)	(4) 4/0 - 500
		MBB & MIB		800A (100% RATED LS)	(4) 4/0 - 500
750	50K @ 480VAC	UIB	NGS312033EC	1200A (100% RATED LS)	(4) 4/0 - 500
		MBB & MIB		1000A (100% RATED LS)	(4) 4/0 - 500
	65K @ 480VAC	UIB	NGH312033EC	1200A (100% RATED LS)	(4) 4/0 - 500
		MBB & MIB		1000A (100% RATED LS)	(4) 4/0 - 500




**NOTES:**

- "UIB" UPS INPUT BREAKER
- "MBB" MAINTENANCE BYPASS BREAKER
- "MIB" MAINTENANCE ISOLATION BREAKER
- ALL INTERNAL CONNECTIONS BETWEEN "UIB", "MBB" AND "MIB" ARE MADE USING COPPER BUS BARS.
- 500KVA MODELS INCLUDE 1500A RATED NEUTRAL BUS PROVIDED WITH MECHANICAL LUGS THAT ACCEPT A TOTAL OF (12) #2 - 600 MCM CABLES.
- 625KVA AND 750KVA MODELS INCLUDE 2500A RATED NEUTRAL BUS PROVIDED WITH MECHANICAL LUGS THAT ACCEPT A TOTAL OF (20) 1/0 - 750 MCM CABLES.
- GROUND LUG ACCEPTS (4) #6 - 250 MCM CABLES.
- MECHANICAL LUGS USED FOR THE UTILITY INPUT & THE OUTPUT TO LOAD HAVE THE SAME WIRE RANGE AS THE CIRCUIT BREAKERS.
- THIS DRAWING IS TO BE USED FOR ELECTRICAL PURPOSES ONLY AND DOES NOT REPRESENT THE ACTUAL MECHANICAL LAYOUT OF THE EQUIPMENT.

**KIRK KEY NOTES:**

- THE "E" OR "W" NEXT TO THE INTERLOCK INDICATES THE POSITION OF THE INTERLOCK BOLT WHEN THE KEY IS REMOVABLE. "E" = EXTENDED AND "W" = WITHDRAWN.
- THE KEY OR KEYS NEXT TO THE INTERLOCK INDICATES THE KEY NUMBER THAT FUNCTIONS WITH THE INTERLOCK.

<b>MAINTENANCE BYPASS CABINET FOR TLE SERIES UPS</b> 500-750KVA, 277V/480V, 3Ø/4W/G, 3 BREAKER INTERLOCK CONFIGURATION 2			
THE INFORMATION CONTAINED IN THIS DRAWING IS THE SOLE PROPERTY OF C&C POWER, INC. ANY REPRODUCTION WITHOUT THE WRITTEN CONSENT OF C&C POWER, INC IS PROHIBITED.			
DIMENSIONS ARE IN INCHES TOLERANCES: DECIMALS: .XX ±.13 .XXX ±.082		INITIALS DRAWN TD CHECKED CH	DATE 8/22/2019 10/23/2019
SCALE: NTS SHEET: A REV: 3	SHEET 2 OF 2		 Electrification Product Group EP Industrial Solutions Division Manufactured by C&C Power for ABB ©2019 C&C POWER, INC. ALL RIGHTS RESERVED

DRAWING #: 9838-FC-SD01-2 REV 3