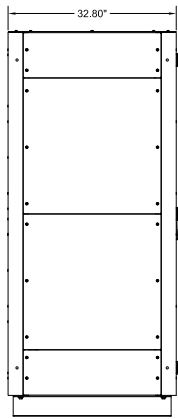
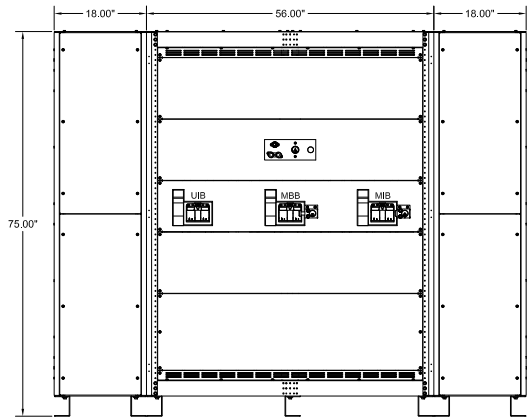


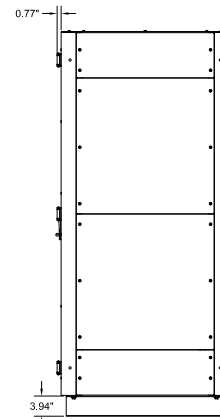
TOP VIEW



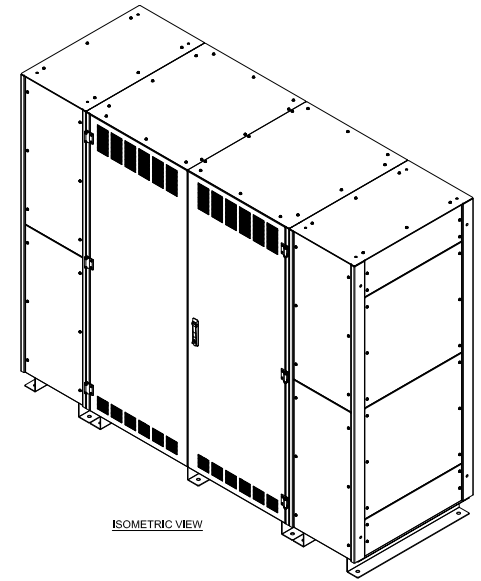
LEFT SIDE VIEW



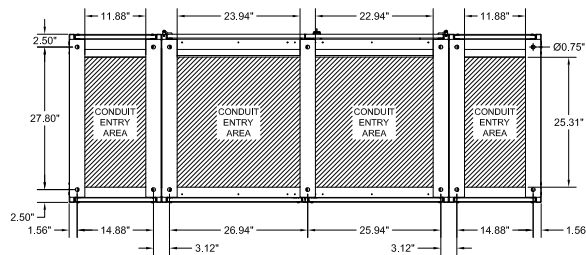
OPTIONAL (RACEWAY CABINET) FRONT VIEW (DOORS REMOVED) OPTIONAL (RACEWAY CABINET)



RIGHT SIDE VIEW



ISOMETRIC VIEW



BOTTOM VIEW

OPTIONAL RACEWAY GUIDELINES					
UPS KVA	CABLE ENTRY POINTS			RACEWAY REQUIRED (QTY)	
	UTILITY INPUT	OUTPUT TO LOAD	TO UPS AC INPUT		TO UPS AC OUTPUT
1000	TOP FEED IN CONDUIT		UPS ADJACENT CABLE THROUGH SIDE PANELS		0
	BOTTOM FEED IN CONDUIT		UPS ADJACENT CABLE THROUGH SIDE PANELS		0
	TOP FEED IN CONDUIT				0
	BOTTOM FEED IN CONDUIT				0
1250	TOP FEED IN CONDUIT		UPS ADJACENT CABLE THROUGH SIDE PANELS		0
	BOTTOM FEED IN CONDUIT		UPS ADJACENT CABLE THROUGH SIDE PANELS		0
	TOP FEED IN CONDUIT				2
	BOTTOM FEED IN CONDUIT				2
1500	TOP FEED IN CONDUIT		UPS ADJACENT CABLE THROUGH SIDE PANELS		0
	BOTTOM FEED IN CONDUIT		UPS ADJACENT CABLE THROUGH SIDE PANELS		0
	TOP FEED IN CONDUIT				2
	BOTTOM FEED IN CONDUIT				2

NOTES:

- APPROXIMATE WEIGHTS:
 -1000KVA MBC SECTION: 1150 LBS.
 -1250 AND 1500KVA MBC SECTION: 1425 LBS.
 -OPTIONAL RACEWAY SECTION: 220 LBS.
- ASSEMBLY IS UL/CUL LISTED TO UL 891 AND C22.2 NO. 244.
- NEMA 1 TYPE ENCLOSURE.
- THE CABINET IS CONSTRUCTED FROM GALVANIZED STEEL.
- THE CABINET IS TO BE MOUNTED THROUGH THE 0.750" HOLES IN THE CABINET LEGS. THE LEGS ARE FORMED FROM 10 GAUGE STEEL.
- FINISH IS POWDER COAT ON ALL EXTERNAL AND VISIBLE SURFACES. INTERIOR PANELS AND MOUNT BRACKETS ARE GALVANIZED FINISH.
- CABINET LEGS ARE REVERSIBLE FOR EASY ACCESS TO CABINET FLOOR MOUNTING HARDWARE.

MAINTENANCE BYPASS CABINET FOR TLE SERIES UPS
 1000-1500KVA, 277V/480V, 3Ø/4W/G, 3 BREAKER WITH SKRU

INTERLOCK CONFIGURATION 12

THE INFORMATION CONTAINED IN THIS DRAWING IS THE SOLE PROPERTY OF C&C POWER, INC. ANY REPRODUCTION WITHOUT THE WRITTEN CONSENT OF C&C POWER, INC IS PROHIBITED.

DIMENSIONS ARE IN INCHES		INITIALS	DATE
TOLERANCES:	DECIMALS:	DRAWN	TD
ANGLES:	±1"	CHECKED	CH
DATE	10/24/2019		

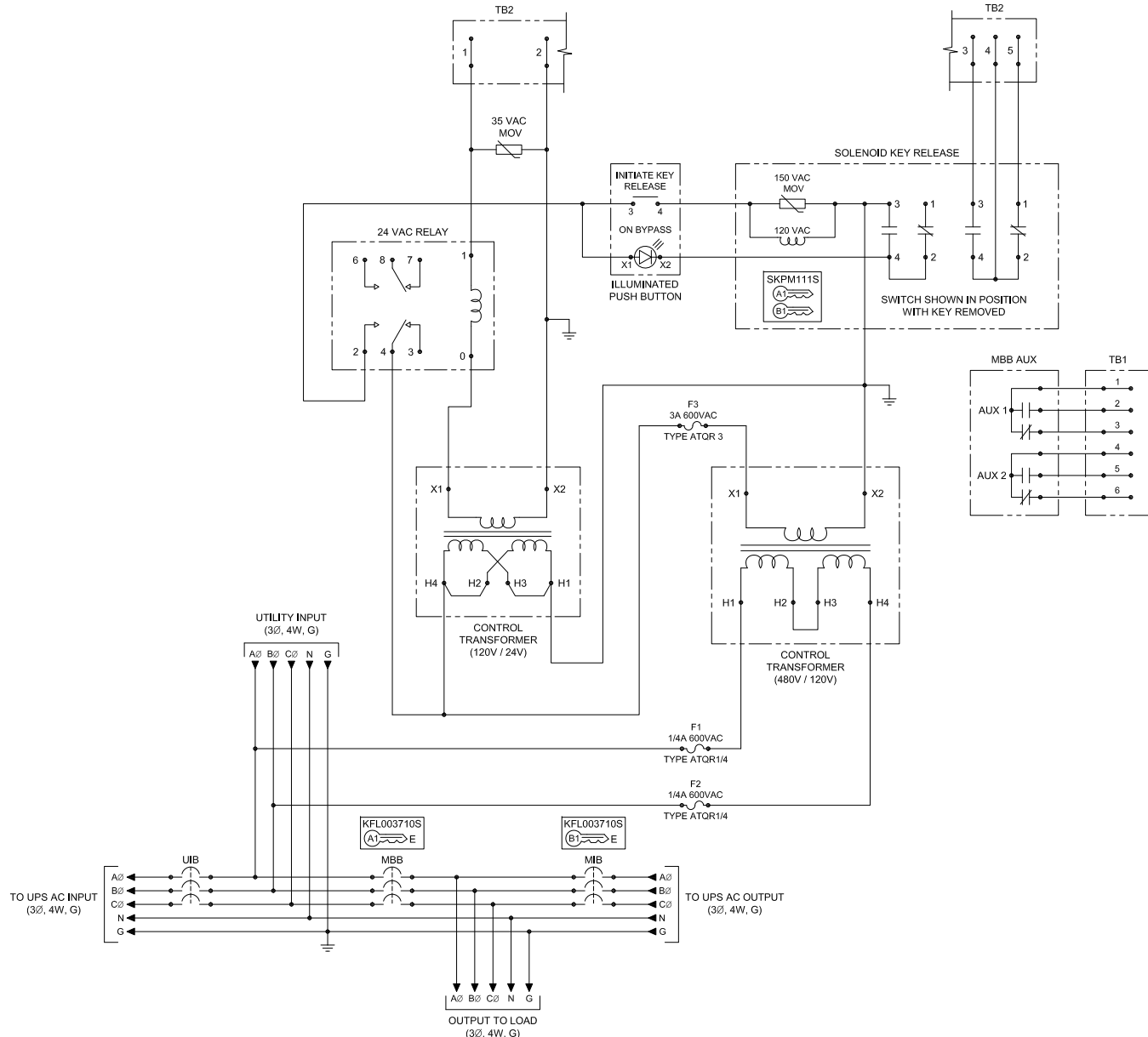


Electrical Products Group
 EP Industrial Solutions Division
 Manufactured by C&C Power for ABB

DRAWING #: 98935-FC-12-SD01-1 REV 5

CIRCUIT BREAKER SUMMARY				
KVA	AIC	BREAKER MODEL	LOCATION	TRIP
1000	65K @ 480VAC	RJF36160CU31A	UIB	1600A (100% RATED LI)
		RJF36160U31A	MBB & MIB	1600A (80% RATED LI)
1250	65K @ 480VAC	RJF36200CU31A	UIB	2000A (100% RATED LI)
		RJF36160CU31A	MBB & MIB	1600A (100% RATED LI)
1500	65K @ 480VAC	RJF36250CU31A	UIB	2500A (100% RATED LI)
		RJF36200CU31A	MBB & MIB	2000A (100% RATED LI)

NEUTRAL BUS INFO		
KVA	NEUTRAL BUS RATING	CABLE TERMINATIONS
1000	200% RATED	(24) #2 - 600 MCM
1250	200% RATED	(48) #2 - 600 MCM
1500	100% RATED	(24) #2 - 600 MCM



- NOTES:
- "UIB" UPS INPUT BREAKER
 - "MBB" MAINTENANCE BYPASS BREAKER
 - "MIB" MAINTENANCE ISOLATION BREAKER
 - ALL INTERNAL CONNECTIONS BETWEEN "UIB", "MBB" AND "MIB" ARE MADE USING COPPER BUS BARS.
 - 1000KVA BYPASS ASSEMBLY UTILITY INPUT, TO UPS AC INPUT, TO UPS AC OUTPUT, & OUTPUT TO LOAD LUGS ACCEPT (4) #2 - 600 MCM CABLES PER PHASE.
 - 1250 & 1500KVA BYPASS ASSEMBLY UTILITY INPUT, TO UPS AC INPUT, TO UPS AC OUTPUT, & OUTPUT TO LOAD LUGS ACCEPT (8) #2 - 600 MCM CABLES PER PHASE.
 - GROUND LUG ACCEPTS (8) #6 - 350 MCM CABLES.
 - VOLTAGE BETWEEN THE AØ AND BØ MUST BE 480V±10% FOR THE SKRU CIRCUIT TO FUNCTION PROPERLY.
 - THIS DRAWING IS TO BE USED FOR ELECTRICAL PURPOSES ONLY AND DOES NOT REPRESENT THE ACTUAL MECHANICAL LAYOUT OF THE EQUIPMENT.

- KIRK KEY NOTES:
- THE "E" OR "W" NEXT TO THE INTERLOCK INDICATES THE POSITION OF THE INTERLOCK BOLT WHEN THE KEY IS REMOVABLE. "E" = EXTENDED AND "W" = WITHDRAWN.
 - THE KEY OR KEYS NEXT TO THE INTERLOCK INDICATES THE KEY NUMBER THAT FUNCTIONS WITH THE INTERLOCK.

MAINTENANCE BYPASS CABINET FOR TLE SERIES UPS
1000-1500KVA, 277V/480V, 3Ø/4W/G, 3 BREAKER WITH SKRU
INTERLOCK CONFIGURATION 12

THE INFORMATION CONTAINED IN THIS DRAWING IS THE SOLE PROPERTY OF C&C POWER, INC. ANY REPRODUCTION WITHOUT THE WRITTEN CONSENT OF C&C POWER, INC IS PROHIBITED.

DIMENSIONS ARE IN INCHES	INITIALS	DATE
TOLERANCES: DECIMALS: .XX ±.13 ANGLES: .XXX ±.082	DRAWN TD CHECKED CH	10/24/2019 10/24/2019

SCALE: SEE A REV: 6 SHEET 2 OF 2

ABB
 Electrification Product Group
 EP Industrial Solutions Division
 Manufactured by C&C Power for ABB

©2019 C&C POWER, INC. ALL RIGHTS RESERVED

DRAWING #: 9836-FC-12-SD01-2 REV 6