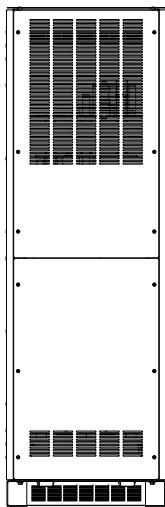
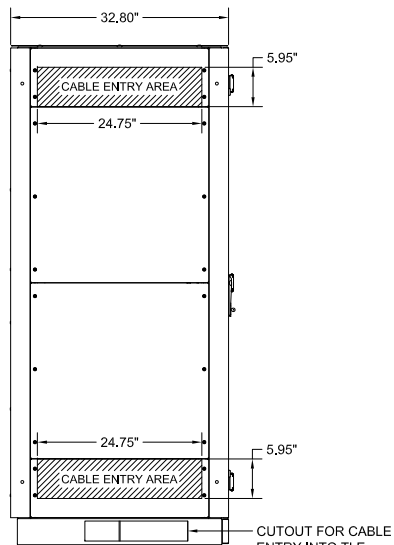


TOP VIEW

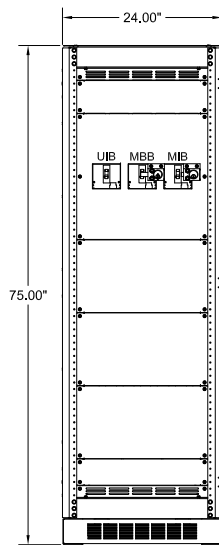


REAR VIEW

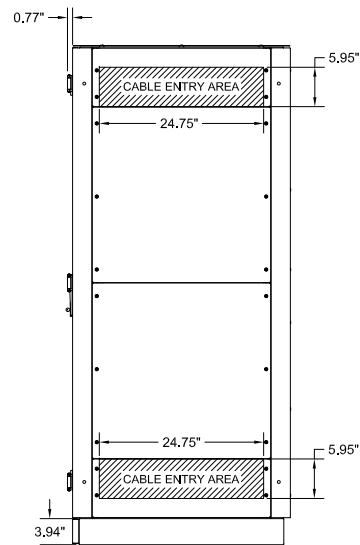


LEFT SIDE VIEW

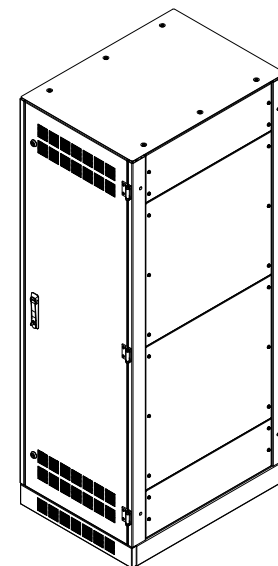
CUTOUT FOR CABLE ENTRY INTO TLE SERIES UPS



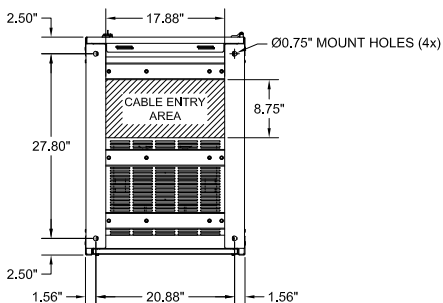
FRONT VIEW (DOOR REMOVED)



RIGHT SIDE VIEW



ISOMETRIC VIEW




BOTTOM VIEW

NOTES:

1. APPROXIMATE WEIGHT: 750 LBS.
2. ASSEMBLY IS UL/CUL LISTED TO UL 891 AND C22.2 NO. 244.
3. NEMA 1 TYPE ENCLOSURE.
4. THE CABINET IS CONSTRUCTED FROM GALVANIZED STEEL.
5. THE CABINET IS TO BE MOUNTED THROUGH THE 0.750" HOLES IN THE CABINET LEGS. THE LEGS ARE FORMED FROM 10 GAUGE STEEL.
6. FINISH IS POWDER COAT ON ALL EXTERNAL AND VISIBLE SURFACES, INTERIOR PANELS AND MOUNT BRACKETS ARE GALVANIZED FINISH.
7. A MINIMUM REAR CLEARANCE OF 6" IS REQUIRED FOR OPTIMAL COOLING OF THE EQUIPMENT.

MAINTENANCE BYPASS CABINET WITH XFRMR FOR TLE SERIES UPS			
40KVA-50KVA 3 BREAKER BYPASS			
480D-208Y/120V OUTPUT TRANSFORMER			
THE INFORMATION CONTAINED IN THIS DRAWING IS THE SOLE PROPERTY OF C&C POWER, INC. ANY REPRODUCTION WITHOUT THE WRITTEN CONSENT OF C&C POWER, INC IS PROHIBITED.			
DIMENSIONS ARE IN INCHES		INITIALS	DATE
TOLERANCES:		DRAWN CH	10/23/2019
DECIMALS: .XX ±.13	ANGLES: ±1°	CHECKED CH	10/23/2019
.XXX ±.082			
SCALE: SEE A	REV: 2	SHEET 1 OF 2	



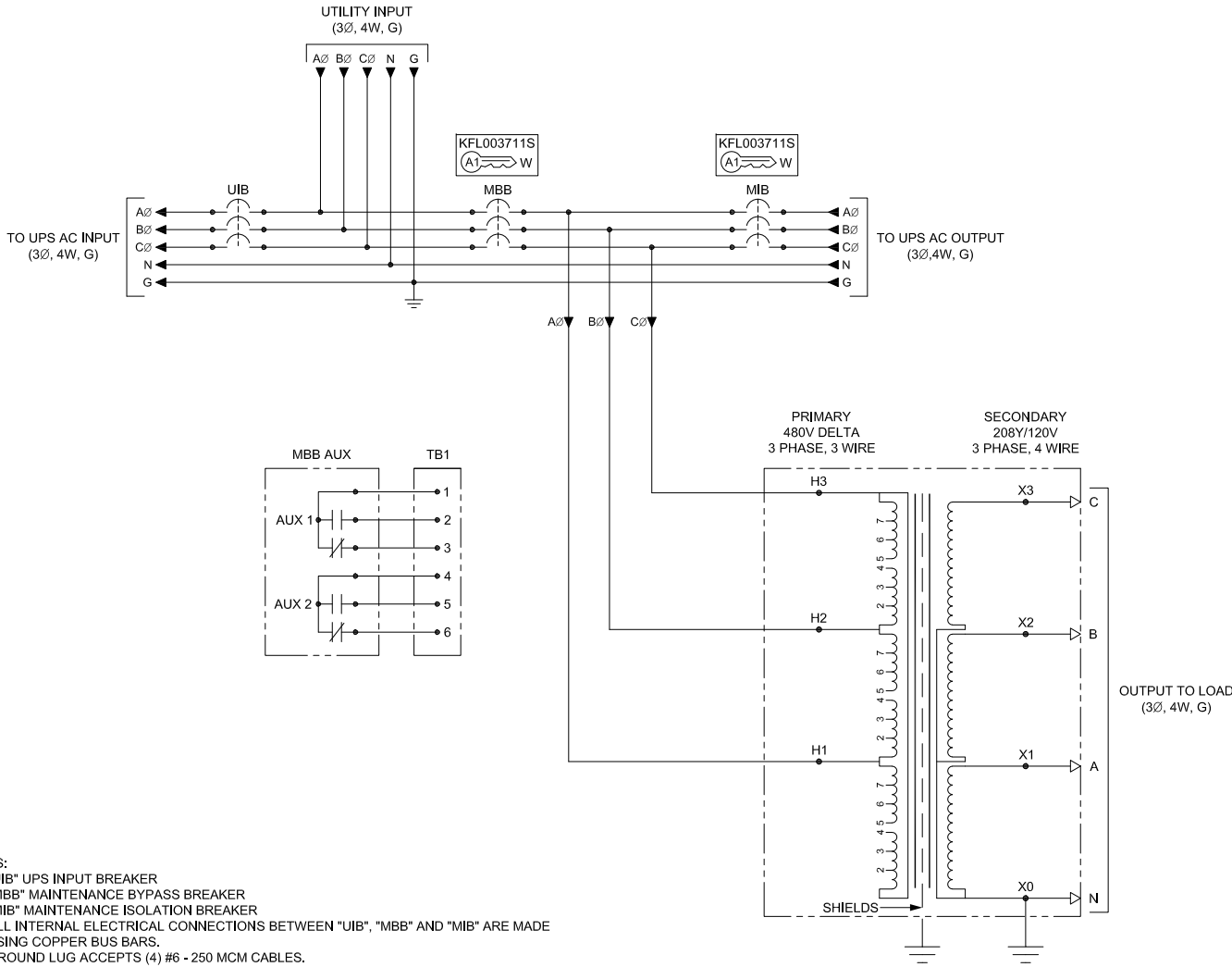
Electrification Product Group
EP Industrial Solutions Division
Manufactured by C&C Power for ABB

©2019 C&C POWER, INC. ALL RIGHTS RESERVED

DRAWING # 9933-E-40KVA-50KVA-480D-208Y-C2-SD01-1-REV 2


TRANSFORMER RATINGS										
UPS KVA	XFRMR KVA	PRIMARY VOLTAGE	SECONDARY VOLTAGE	FREQUENCY	MATERIAL	TEMP RISE	K FACTOR	EFFICIENCY	NEUTRAL	OUTPUT TO LOAD
40	56	480	208Y/120	60 HZ	AL	150°C	K13	DOE-2016	250A RATED ACCEPTS (4) 6 - 350	(1) 6 - 250 PER PHASE
50										

CIRCUIT BREAKER SUMMARY					
KVA	AIC	BREAKER MODEL	LOCATION	TRIP	WIRE RANGE
40	25K @ 480VAC	SEHA36AT0100	UIB	80A	(1) 12 - 3/0
		SEHA36AT0060	MBB & MIB	60A	
	65K @ 480VAC	SELA36AT0100	UIB	80A	
		SELA36AT0060	MBB & MIB	60A	
50	25K @ 480VAC	SEHA36AT0100	UIB, MBB, & MIB	90A	(1) 12 - 3/0
	65K @ 480VAC	SELA36AT0100	UIB, MBB, & MIB	90A	



- NOTES:
- "UIB" UPS INPUT BREAKER
 - "MBB" MAINTENANCE BYPASS BREAKER
 - "MIB" MAINTENANCE ISOLATION BREAKER
 - ALL INTERNAL ELECTRICAL CONNECTIONS BETWEEN "UIB", "MBB" AND "MIB" ARE MADE USING COPPER BUS BARS.
 - GROUND LUG ACCEPTS (4) #6 - 250 MCM CABLES.
 - UTILITY INPUT NEUTRAL BUS IS 600A RATED AND PROVIDED WITH MECHANICAL LUGS THAT ACCEPT A TOTAL OF (4) #6 - 350 MCM CABLES.
 - MECHANICAL LUGS USED FOR THE UTILITY INPUT HAVE THE SAME WIRE RANGE AS THE "UIB" CIRCUIT BREAKERS.
 - MECHANICAL LUGS ARE PROVIDED FOR THE OUTPUT TO LOAD AND X0 NEUTRAL CONNECTIONS. SEE TRANSFORMER RATINGS TABLE FOR WIRE RANGE INFO.
 - CABLE KIT PROVIDED FOR CONNECTIONS TO UPS AC INPUT AND UPS AC OUTPUT. CABLE KIT SIZED FOR SIDE BY SIDE LINE UP WITH UPS.
 - THIS DRAWING IS TO BE USED FOR ELECTRICAL PURPOSES ONLY AND DOES NOT REPRESENT THE ACTUAL MECHANICAL LAYOUT OF THE EQUIPMENT.

- KIRK KEY NOTES:
- THE "E" OR "W" NEXT TO THE INTERLOCK INDICATES THE POSITION OF THE INTERLOCK BOLT WHEN THE KEY IS REMOVABLE. "E" = EXTENDED AND "W" = WITHDRAWN.
 - THE KEY OR KEYS NEXT TO THE INTERLOCK INDICATES THE KEY NUMBER THAT FUNCTIONS WITH THE INTERLOCK.

MAINTENANCE BYPASS CABINET WITH XFRMR FOR TLE SERIES UPS 40KVA-50KVA 3 BREAKER BYPASS 480D-208Y/120V OUTPUT TRANSFORMER		
<small>THE INFORMATION CONTAINED IN THIS DRAWING IS THE SOLE PROPERTY OF C&C POWER, INC. ANY REPRODUCTION WITHOUT THE WRITTEN CONSENT OF C&C POWER, INC IS PROHIBITED.</small>		
<small>DIMENSIONS ARE IN INCHES</small> <small>TOLERANCES:</small> <small>DECIMALS: .XX ±.13</small> <small>.XXX ±.082</small>	<small>INITIALS</small> <small>DRAWN CH</small> <small>CHECKED CH</small>	<small>DATE</small> <small>10/23/2019</small> <small>10/23/2019</small>
<small>SCALE: NTS</small> <small>REV: A</small> <small>2</small>	SHEET 2 OF 2	
		<small>Electricity Solutions Product Group</small> <small>EP Industrial Solutions Division</small> <small>Manufactured by C&C Power for ABB</small> <small>©2019 C&C POWER, INC. ALL RIGHTS RESERVED</small>

DRAWING # 99839-E-40KVA-50KVA-480D-208Y-480D-208Y-C2-SD01-2 REV 2