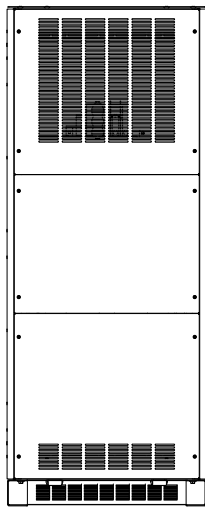
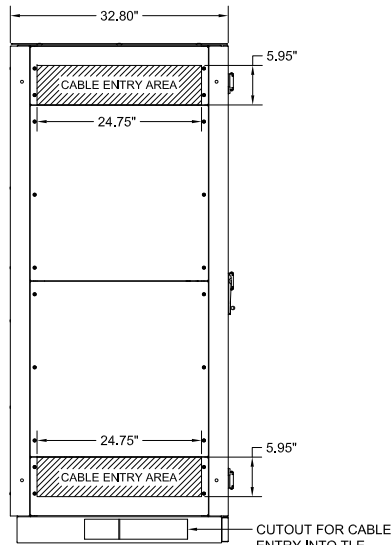


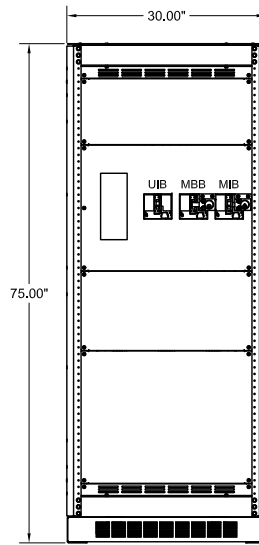
TOP VIEW



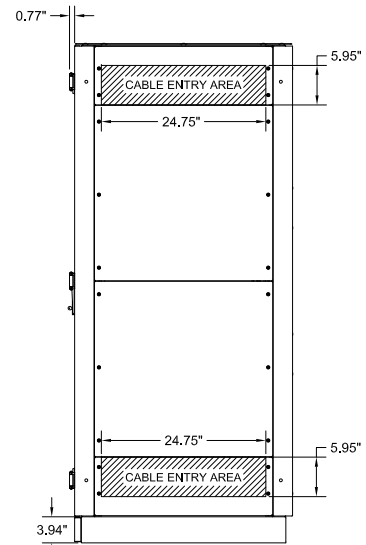
REAR VIEW



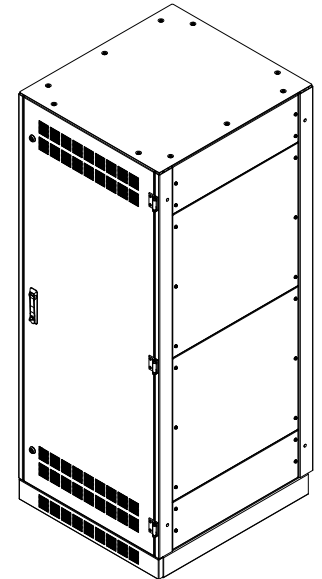
LEFT SIDE VIEW



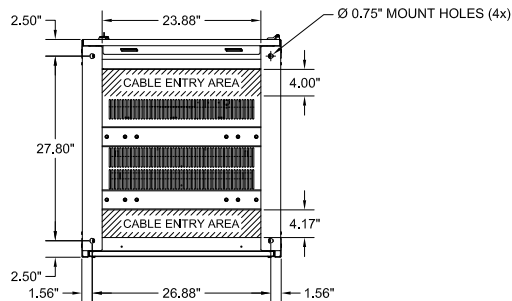
FRONT VIEW
(DOOR REMOVED)



RIGHT SIDE VIEW



ISOMETRIC VIEW



BOTTOM VIEW

- NOTES:
- APPROXIMATE WEIGHT:
80KVA 1100 LBS.
100KVA 1500 LBS.
 - ASSEMBLY IS UL/CUL LISTED TO UL 891 AND C22.2 NO. 244.
 - NEMA 1 TYPE ENCLOSURE.
 - THE CABINET IS CONSTRUCTED FROM GALVANIZED STEEL.
 - THE CABINET IS TO BE MOUNTED THROUGH THE 0.750" HOLES IN THE CABINET LEGS, THE LEGS ARE FORMED FROM 10 GAUGE STEEL.
 - FINISH IS POWDER COAT ON ALL EXTERNAL AND VISIBLE SURFACES, INTERIOR PANELS AND MOUNT BRACKETS ARE GALVANIZED FINISH.
 - A MINIMUM REAR CLEARANCE OF 6" IS REQUIRED FOR OPTIMAL COOLING OF THE EQUIPMENT.

MAINTENANCE BYPASS CABINET WITH XFRMR FOR TLE SERIES UPS			
80KVA-100KVA 3 BREAKER BYPASS			
480D-208Y/120V OUTPUT TRANSFORMER			
THE INFORMATION CONTAINED IN THIS DRAWING IS THE SOLE PROPERTY OF C&C POWER, INC. ANY REPRODUCTION WITHOUT THE WRITTEN CONSENT OF C&C POWER, INC IS PROHIBITED.			
DIMENSIONS ARE IN INCHES		INITIALS	DATE
TOLERANCES:	ANGLES:	DRAWN TD	8/23/2019
DECIMALS: .XX ±.13	ANGLES: ±1°	CHECKED CH	9/5/2019
SCALE: NTS	SIZE: A	REV: 2	SHEET 1 OF 2



Electrification Product Group
EP Industrial Solutions Division
Manufactured by C&C Power for ABB

© 2017 C&C POWER, INC. ALL RIGHTS RESERVED

