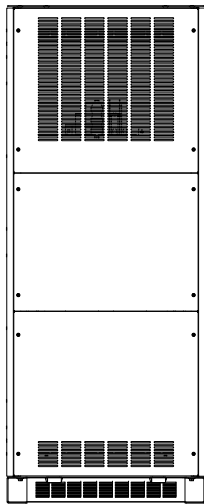
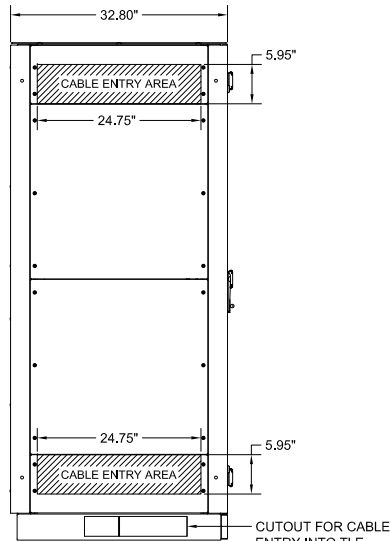


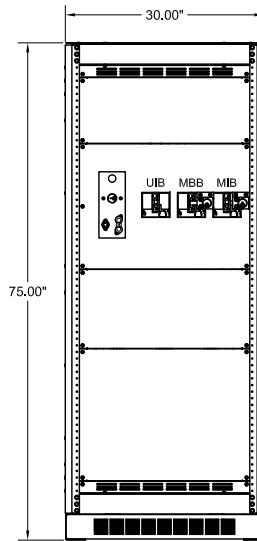
TOP VIEW



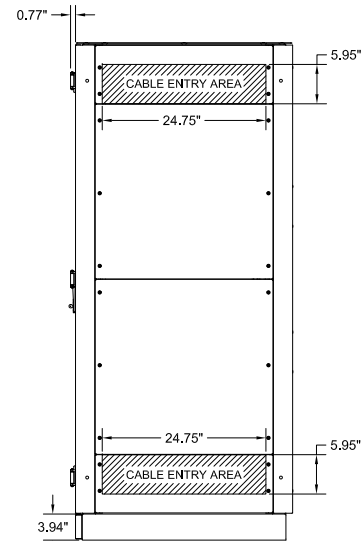
REAR VIEW



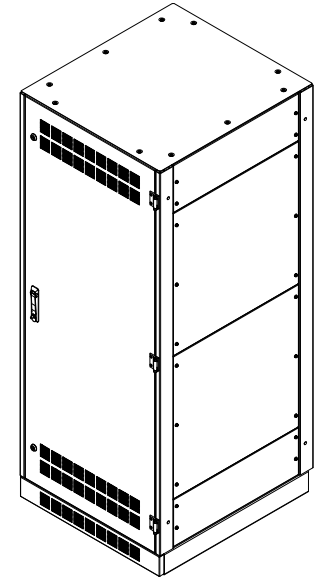
LEFT SIDE VIEW



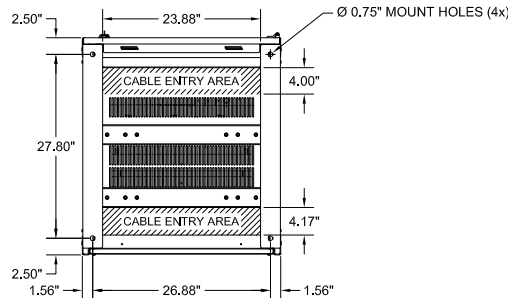
FRONT VIEW  
(DOOR REMOVED)



RIGHT SIDE VIEW




ISOMETRIC VIEW



BOTTOM VIEW

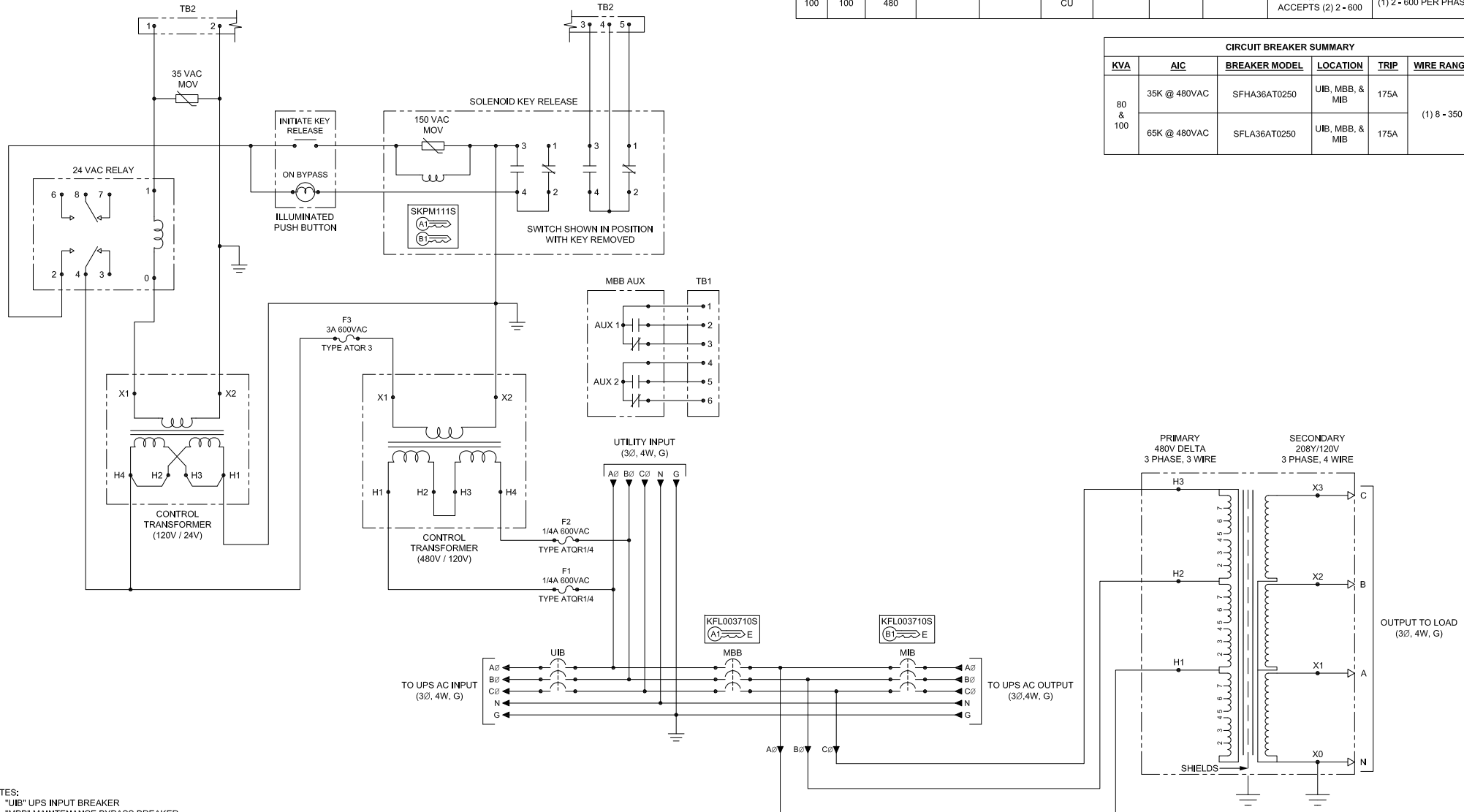
- NOTES:
- APPROXIMATE WEIGHT:  
80KVA 1100 LBS.  
100KVA 1500 LBS.
  - ASSEMBLY IS UL/CUL LISTED TO UL 891 AND C22.2 NO. 244.
  - NEMA 1 TYPE ENCLOSURE.
  - THE CABINET IS CONSTRUCTED FROM GALVANIZED STEEL.
  - THE CABINET IS TO BE MOUNTED THROUGH THE 0.750" HOLES IN THE CABINET LEGS. THE LEGS ARE FORMED FROM 10 GAUGE STEEL.
  - FINISH IS POWDER COAT ON ALL EXTERNAL AND VISIBLE SURFACES, INTERIOR PANELS AND MOUNT BRACKETS ARE GALVANIZED FINISH.
  - A MINIMUM REAR CLEARANCE OF 6" IS REQUIRED FOR OPTIMAL COOLING OF THE EQUIPMENT.

<b>MAINTENANCE BYPASS CABINET WITH XFRMR FOR TLE SERIES UPS</b> <b>80KVA-100KVA 3 BREAKER BYPASS WITH SKRU</b> <b>480D-208Y/120V OUTPUT TRANSFORMER</b>			
<small>THE INFORMATION CONTAINED IN THIS DRAWING IS THE SOLE PROPERTY OF C&amp;C POWER, INC. ANY REPRODUCTION WITHOUT THE WRITTEN CONSENT OF C&amp;C POWER, INC IS PROHIBITED.</small>			
<small>DIMENSIONS ARE IN INCHES</small>		<small>INITIALS</small> <small>DATE</small>	 <small>Electrical Products Group</small> <small>EP Industrial Solutions Division</small> <small>Manufactured by C&amp;C Power for ABB</small>
<small>TOLERANCES:</small> <small>DECIMALS: .XX ±.13</small> <small>.XXX ±.082</small>	<small>ANGLES: ±1°</small>	<small>DRAWN</small> TD <small>8/23/2019</small> <small>CHECKED</small> CH <small>9/5/2019</small>	
<small>SCALE:</small> A <small>NTS</small>	<small>REV:</small> 2	<b>SHEET 1 OF 2</b>	
<small>© 2017 C&amp;C POWER, INC. ALL RIGHTS RESERVED</small>			

DRAWING #: 98335-F-80KVA-100KVA-480D-208Y-C12-SD01-1 REV 2

TRANSFORMER RATINGS										
UPS KVA	XFRMR KVA	PRIMARY VOLTAGE	SECONDARY VOLTAGE	FREQUENCY	MATERIAL	TEMP RISE	K FACTOR	EFFICIENCY	NEUTRAL	OUTPUT TO LOAD
80	80	480	208Y/120	60 HZ	AL	150°C	K13	DOE-2016	200% RATED ACCEPTS (2) 6 - 350	(1) 6 - 350 PER PHASE
100	100	480			CU				200% RATED ACCEPTS (2) 2 - 600	(1) 2 - 600 PER PHASE

CIRCUIT BREAKER SUMMARY					
KVA	AIC	BREAKER MODEL	LOCATION	TRIP	WIRE RANGE
80 & 100	35K @ 480VAC	SFHA36AT0250	UIB, MBB, & MIB	175A	(1) 8 - 350
	65K @ 480VAC	SFLA36AT0250	UIB, MBB, & MIB	175A	



- NOTES:**
- "UIB" UPS INPUT BREAKER
  - "MBB" MAINTENANCE BYPASS BREAKER
  - "MIB" MAINTENANCE ISOLATION BREAKER
  - ALL INTERNAL ELECTRICAL CONNECTIONS BETWEEN "UIB", "MBB" AND "MIB" ARE MADE USING COPPER BUS BARS.
  - GROUND LUG ACCEPTS (4) #6 - 250 MCM CABLES.
  - UTILITY INPUT NEUTRAL BUS IS 600A RATED AND PROVIDED WITH MECHANICAL LUGS THAT ACCEPT A TOTAL OF (4) #6 - 350 MCM CABLES.
  - MECHANICAL LUGS USED FOR THE UTILITY INPUT HAVE THE SAME WIRE RANGE AS THE "UIB" CIRCUIT BREAKERS.
  - MECHANICAL LUGS ARE PROVIDED FOR THE OUTPUT TO LOAD AND X0 NEUTRAL CONNECTIONS. SEE TRANSFORMER RATINGS TABLE FOR WIRE RANGE INFO.
  - VOLTAGE BETWEEN THE AØ AND BØ MUST BE 480V±10% FOR THE SKRU CIRCUIT TO FUNCTION PROPERLY.
  - CABLE KIT PROVIDED FOR CONNECTIONS TO UPS AC INPUT, UPS AC OUTPUT, AND TB2 TO UPS. CABLE KIT SIZED FOR SIDE BY SIDE LINE UP WITH UPS.
  - THIS DRAWING IS TO BE USED FOR ELECTRICAL PURPOSES ONLY AND DOES NOT REPRESENT THE ACTUAL MECHANICAL LAYOUT OF THE EQUIPMENT.

- KIRK KEY NOTES:**
- THE "E" OR "W" NEXT TO THE INTERLOCK INDICATES THE POSITION OF THE INTERLOCK BOLT WHEN THE KEY IS REMOVABLE. "E" = EXTENDED AND "W" = WITHDRAWN.
  - THE KEY OR KEYS NEXT TO THE INTERLOCK INDICATES THE KEY NUMBER THAT FUNCTIONS WITH THE INTERLOCK.

**MAINTENANCE BYPASS CABINET WITH XFRMR FOR TLE SERIES UPS  
80KVA-100KVA 3 BREAKER BYPASS WITH SKRU  
480D-208Y/120V OUTPUT TRANSFORMER**

THE INFORMATION CONTAINED IN THIS DRAWING IS THE SOLE PROPERTY OF C&C POWER, INC. ANY REPRODUCTION WITHOUT THE WRITTEN CONSENT OF C&C POWER, INC IS PROHIBITED.

DIMENSIONS ARE IN INCHES		INITIALS	DATE
TOLERANCES:	DECIMALS: .XX ±.13	DRAWN	TD 8/23/2019
	ANGLES: ±1°	CHECKED	CH 9/5/2019
SCALE: SEE A	REV: 2	SHEET 2 OF 2	

**ABB**  
Electrifications Product Group  
EP Industrial Solutions Division  
Manufactured by C&C Power for ABB

©2017 C&C POWER, INC. ALL RIGHTS RESERVED

DRAWING # 98339-F-80KVA-100KVA-480D-208Y-120V-3-BREAKER-BYPASS-WITH-SKRU