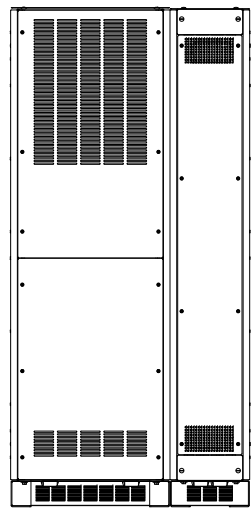
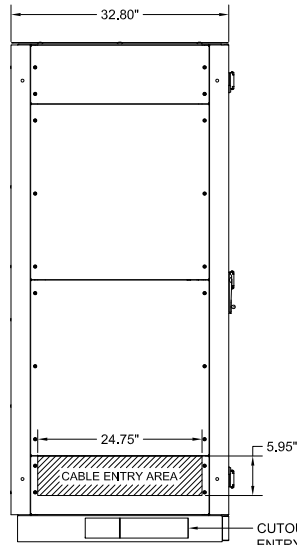


TOP VIEW

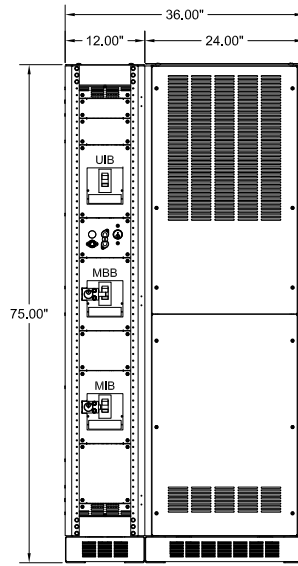


REAR VIEW

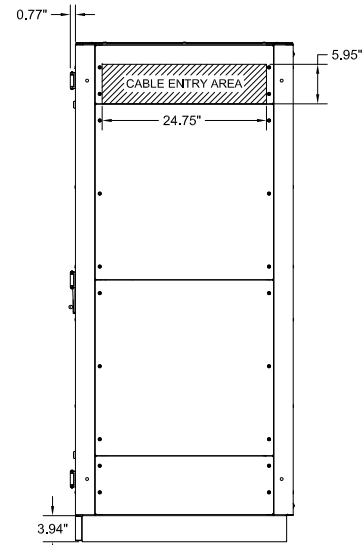


LEFT SIDE VIEW

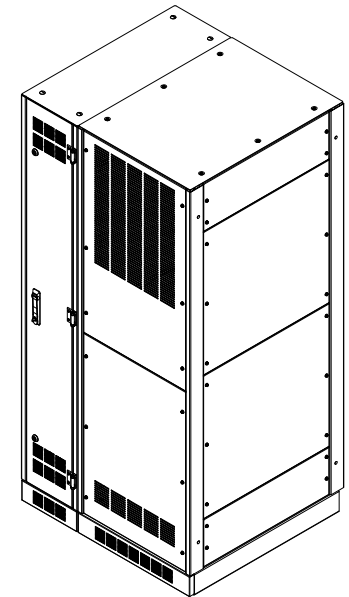
CUTOUT FOR CABLE ENTRY INTO TLE SERIES UPS



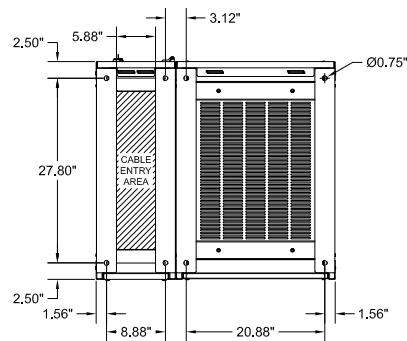
FRONT VIEW (DOOR REMOVED)



RIGHT SIDE VIEW



ISOMETRIC VIEW



BOTTOM VIEW

NOTES:

- APPROXIMATE WEIGHT:
120KVA 1500 LBS.
160KVA 1700 LBS.
- ASSEMBLY IS UL/CUL LISTED TO UL 891 AND C22.2 NO. 244.
- NEMA 1 TYPE ENCLOSURE.
- THE CABINETS ARE CONSTRUCTED FROM GALVANIZED STEEL.
- THE CABINETS ARE TO BE MOUNTED THROUGH THE 0.750" HOLES IN THE CABINET LEGS. THE LEGS ARE FORMED FROM 10 GAUGE STEEL.
- FINISH IS POWDER COAT ON ALL EXTERNAL AND VISIBLE SURFACES, INTERIOR PANELS AND MOUNT BRACKETS ARE GALVANIZED FINISH.
- A MINIMUM REAR CLEARANCE OF 6" IS REQUIRED FOR OPTIMAL COOLING OF THE EQUIPMENT.

MAINTENANCE BYPASS CABINET WITH XFRMR FOR TLE SERIES UPS			
120KVA-160KVA 3 BREAKER BYPASS WITH SKRU			
480D-208Y/120V OUTPUT TRANSFORMER			
THE INFORMATION CONTAINED IN THIS DRAWING IS THE SOLE PROPERTY OF C&C POWER, INC. ANY REPRODUCTION WITHOUT THE WRITTEN CONSENT OF C&C POWER, INC IS PROHIBITED.			
DIMENSIONS ARE IN INCHES		INITIALS	DATE
TOLERANCES:	ANGLES:	DRAWN TD	8/23/2019
DECIMALS: .XX ±.13	±1°	CHECKED CH	9/5/2019
SCALE: NTS	SIZE: A	REV: 2	SHEET 1 OF 2

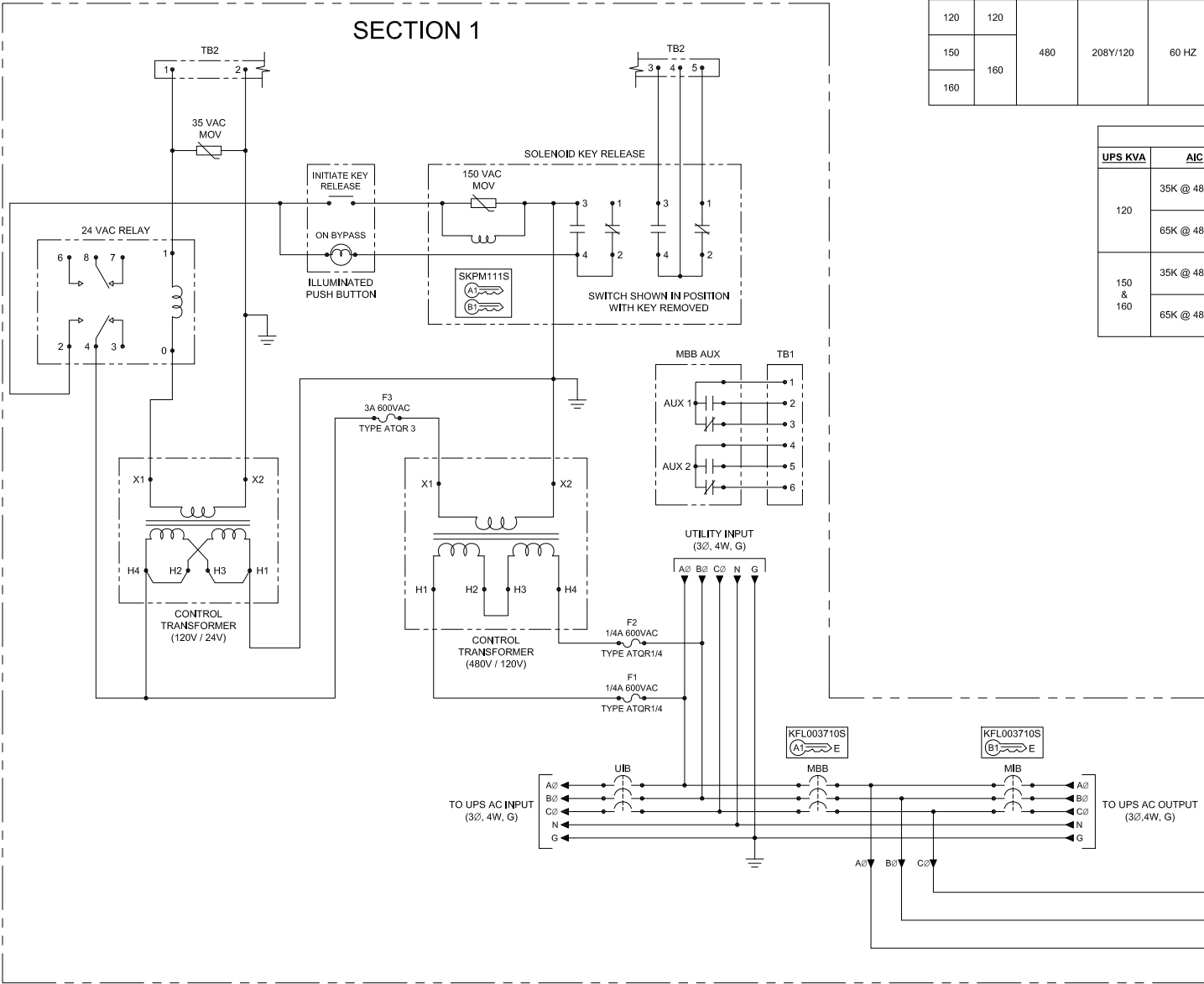


Electrification Product Group
EP Industrial Solutions Division
Manufactured by C&C Power for ABB

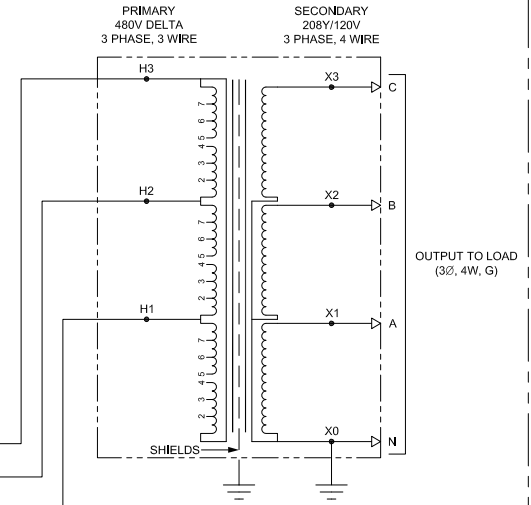
©2017 C&C POWER, INC. ALL RIGHTS RESERVED

DRAWING # 99839-F-120KVA-160KVA-480D-208Y-C12-SD01-1 REV 2

SECTION 1



SECTION 2



TRANSFORMER RATINGS										
UPS KVA	XFRMR KVA	PRIMARY VOLTAGE	SECONDARY VOLTAGE	FREQUENCY	MATERIAL	TEMP RISE	K FACTOR	EFFICIENCY	NEUTRAL	OUTPUT TO LOAD
120	120	480	208Y/120	60 HZ	CU	150°C	K13	DOE-2016	200% RATED ACCEPTS (4) 6 - 350	(2) 6 - 350 PER PHASE
150	160									200% RATED ACCEPTS (4) 4 - 600
160										

CIRCUIT BREAKER SUMMARY					
UPS KVA	AIC	BREAKER MODEL	LOCATION	TRIP	WIRE RANGE
120	35K @ 480VAC	SFHA36AT0250	UIB	250A	(1) 8 - 350
		MBB & MIB	200A		
	65K @ 480VAC	SFLA36AT0250	UIB	250A	
		MBB & MIB	200A		
150 & 160	35K @ 480VAC	SGHA36AT0400	UIB	300A	(2) 2/0 - 500 OR (1) 8 - 600
		MBB & MIB	250A		
	65K @ 480VAC	SGLA36AT0400	UIB	300A	
		MBB & MIB	250A		

NOTES:

- "UIB" UPS INPUT BREAKER
- "MBB" MAINTENANCE BYPASS BREAKER
- "MIB" MAINTENANCE ISOLATION BREAKER
- ALL INTERNAL ELECTRICAL CONNECTIONS BETWEEN "UIB", "MBB" AND "MIB" ARE MADE USING COPPER BUS BARS.
- GROUND LUG ACCEPTS (4) #6 - 250 MCM CABLES.
- UTILITY INPUT NEUTRAL BUS IS 600A RATED AND PROVIDED WITH MECHANICAL LUGS THAT ACCEPT A TOTAL OF (4) #6 - 350 MCM CABLES.
- MECHANICAL LUGS USED FOR THE UTILITY INPUT HAVE THE SAME WIRE RANGE AS THE "UIB" CIRCUIT BREAKERS.
- MECHANICAL LUGS ARE PROVIDED FOR THE OUTPUT TO LOAD AND X0 NEUTRAL CONNECTIONS. SEE TRANSFORMER RATINGS TABLE FOR WIRE RANGE INFO.
- VOLTAGE BETWEEN THE AØ AND BØ MUST BE 480V±10% FOR THE SKRU CIRCUIT TO FUNCTION PROPERLY.
- CABLE KIT PROVIDED FOR CONNECTIONS TO UPS AC INPUT AND UPS AC OUTPUT. CABLE KIT SIZED FOR SIDE BY SIDE LINE UP WITH UPS.
- THIS DRAWING IS TO BE USED FOR ELECTRICAL PURPOSES ONLY AND DOES NOT REPRESENT THE ACTUAL MECHANICAL LAYOUT OF THE EQUIPMENT.

KIRK KEY NOTES:

- THE "E" OR "W" NEXT TO THE INTERLOCK INDICATES THE POSITION OF THE INTERLOCK BOLT WHEN THE KEY IS REMOVABLE. "E" = EXTENDED AND "W" = WITHDRAWN.
- THE KEY OR KEYS NEXT TO THE INTERLOCK INDICATES THE KEY NUMBER THAT FUNCTIONS WITH THE INTERLOCK.

**MAINTENANCE BYPASS CABINET WITH XFRMR FOR TLE SERIES UPS
120KVA-160KVA 3 BREAKER BYPASS WITH SKRU
480D-208Y/120V OUTPUT TRANSFORMER**

THE INFORMATION CONTAINED IN THIS DRAWING IS THE SOLE PROPERTY OF C&C POWER, INC. ANY REPRODUCTION WITHOUT THE WRITTEN CONSENT OF C&C POWER, INC IS PROHIBITED.			
DIMENSIONS ARE IN INCHES		INITIALS	DATE
TOLERANCES:	DECIMALS:	DRAWN	TD
ANGLES:	±1"	CHECKED	CH
SCALE:	SIZE:	REV:	2
SHEET 2 OF 2			© 2017 C&C POWER, INC. ALL RIGHTS RESERVED



Electrification's Product Group
EP Industrial Solutions Division
Manufactured by C&C Power for ABB