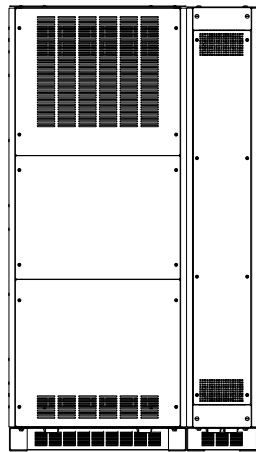
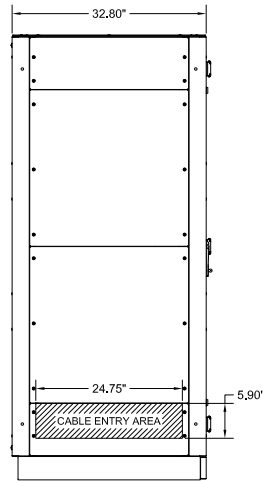


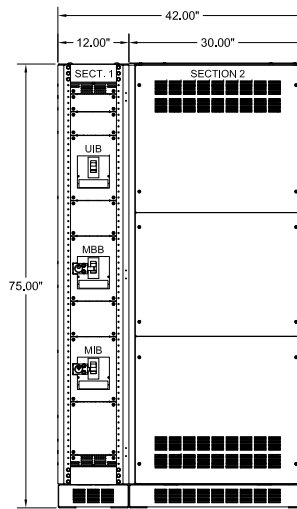
TOP VIEW



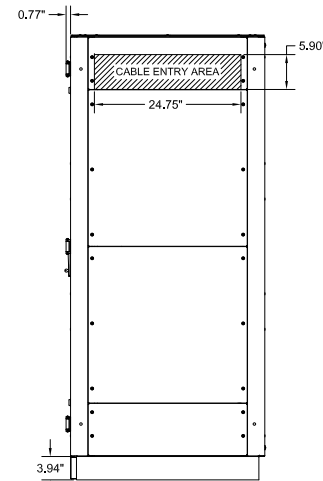
REAR VIEW



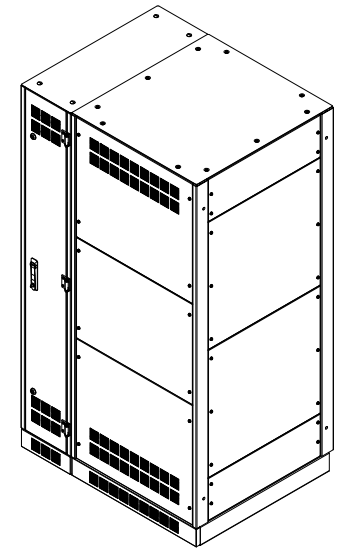
LEFT SIDE VIEW



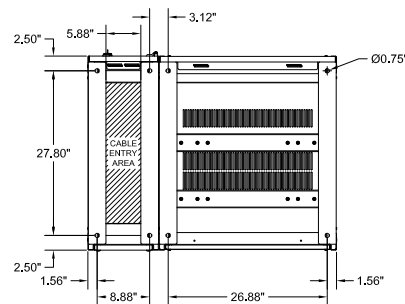
FRONT VIEW
(DOOR REMOVED)



RIGHT SIDE VIEW



ISOMETRIC VIEW



BOTTOM VIEW

- NOTES:
1. APPROXIMATE WEIGHT: 2300 LBS.
 2. ASSEMBLY IS UL/CUL LISTED TO UL 891 AND C22.2 NO. 244.
 3. NEMA 1 TYPE ENCLOSURES.
 4. THE CABINETS ARE CONSTRUCTED FROM GALVANIZED STEEL.
 5. THE CABINETS ARE TO BE MOUNTED THROUGH THE 0.750" HOLES IN THE CABINET LEGS. THE LEGS ARE FORMED FROM 10 GAUGE STEEL.
 6. FINISH IS POWDER COAT ON ALL EXTERNAL AND VISIBLE SURFACES, INTERIOR PANELS AND MOUNT BRACKETS ARE GALVANIZED FINISH.
 7. A MINIMUM REAR CLEARANCE OF 6" IS REQUIRED FOR OPTIMAL COOLING OF THE EQUIPMENT.

MAINTENANCE BYPASS CABINET WITH XFRMR FOR TLE SERIES UPS
200KVA-225KVA 3 BREAKER BYPASS
480D-208Y/120V OUTPUT TRANSFORMER

THE INFORMATION CONTAINED IN THIS DRAWING IS THE SOLE PROPERTY OF C&C POWER, INC. ANY REPRODUCTION WITHOUT THE WRITTEN CONSENT OF C&C POWER, INC IS PROHIBITED.

DIMENSIONS ARE IN INCHES		INITIALS	DATE
TOLERANCES:	DECIMALS:	DRAWN	8/28/2019
ANGLES:	.XX ±.13	TD	
	.XXX ±.082	CHECKED	9/5/2019
		CH	

SCALE: SIZE: A REV: 2

SHEET 1 OF 2



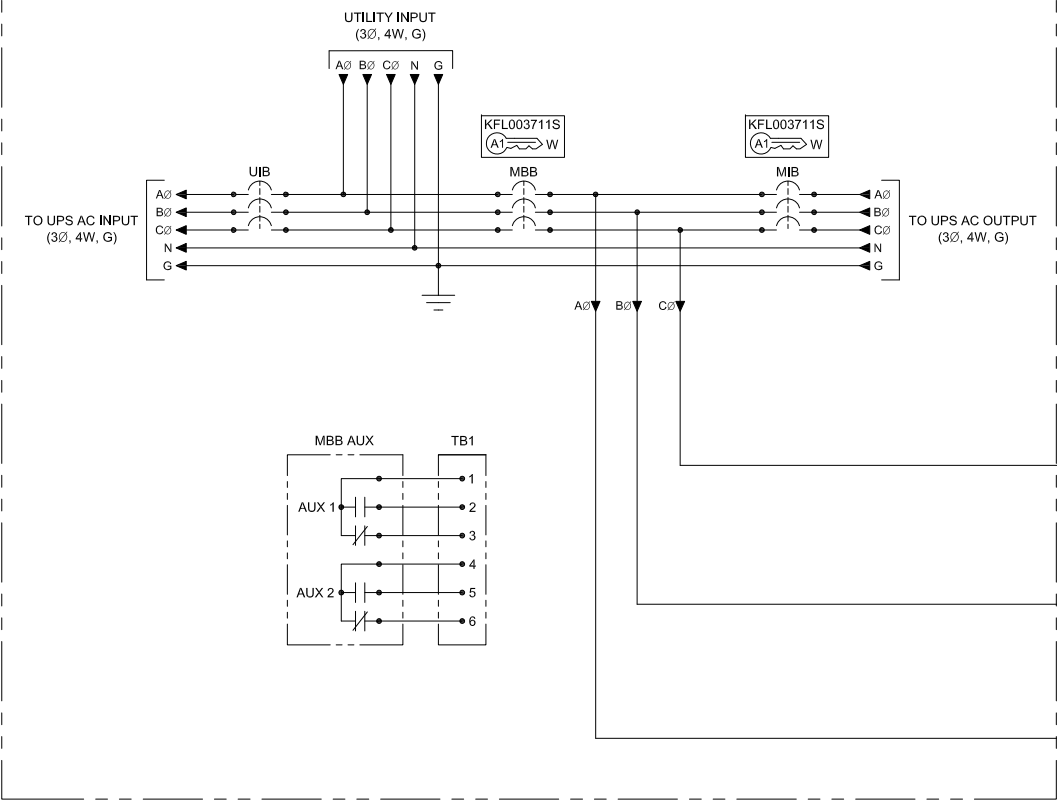
Electrification Product Group
EP Industrial Solutions Division
Manufactured by C&C Power for ABB

© 2017 C&C POWER, INC. ALL RIGHTS RESERVED

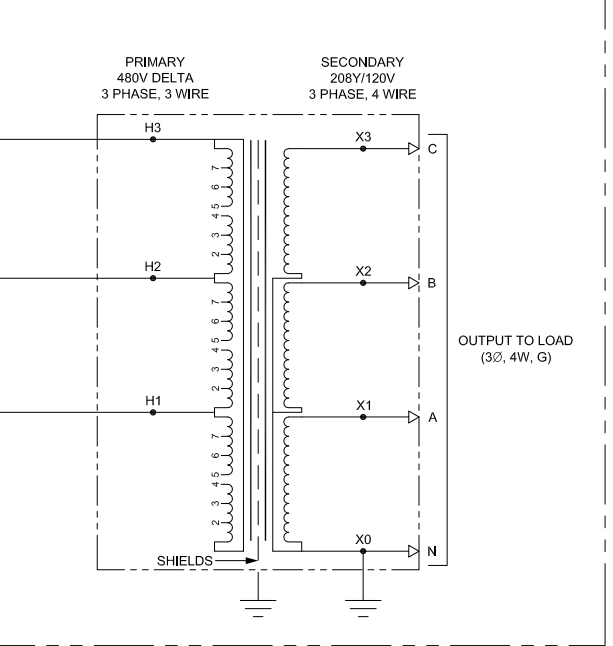
TRANSFORMER RATINGS										
UPS KVA	XFRMR KVA	PRIMARY VOLTAGE	SECONDARY VOLTAGE	FREQUENCY	MATERIAL	TEMP RISE	K FACTOR	EFFICIENCY	NEUTRAL	OUTPUT TO LOAD
200	225	480	208Y/120	60 HZ	CU	150°C	K13	TP1	200% RATED ACCEPTS (4) 4 - 600	(2) 4 - 600 PER PHASE
225										

CIRCUIT BREAKER SUMMARY					
UPS KVA	AIC	BREAKER MODEL	LOCATION	TRIP	WIRE RANGE
200	35K @ 480VAC	SGHA36AT0400	UIB	350A	(2) 2/0 - 500 OR (1) 8 - 600
			MBB & MIB	300A	
	65K @ 480VAC	SGLA36AT0400	UIB	350A	
			MBB & MIB	300A	
225	35K @ 480VAC	SGHA36AT0400	UIB	400A	(2) 2/0 - 500 OR (1) 8 - 600
			MBB & MIB	350A	
	65K @ 480VAC	SGLA36AT0400	UIB	400A	
			MBB & MIB	350A	

SECTION 1



SECTION 2



- NOTES:
- "UIB" UPS INPUT BREAKER
 - "MBB" MAINTENANCE BYPASS BREAKER
 - "MIB" MAINTENANCE ISOLATION BREAKER
 - ALL INTERNAL ELECTRICAL CONNECTIONS BETWEEN "UIB", "MBB" AND "MIB" ARE MADE USING COPPER BUS BARS.
 - GROUND LUG ACCEPTS (4) #6 - 250 MCM CABLES.
 - UTILITY INPUT NEUTRAL BUS IS 600A RATED AND PROVIDED WITH MECHANICAL LUGS THAT ACCEPT A TOTAL OF (4) #6 - 350 MCM CABLES.
 - MECHANICAL LUGS USED FOR THE CONNECTIONS TO UPS AC INPUT AND UPS AC OUTPUT. CABLE KIT SIZED FOR SIDE BY SIDE LINE UP WITH UPS.
 - "UIB" CIRCUIT BREAKERS.
 - MECHANICAL LUGS ARE PROVIDED FOR THE OUTPUT TO LOAD AND X0 NEUTRAL CONNECTIONS. SEE TRANSFORMER RATINGS TABLE FOR WIRE RANGE INFO.
 - CABLE KIT PROVIDED FOR CONNECTIONS TO UPS AC INPUT AND UPS AC OUTPUT. CABLE KIT SIZED FOR SIDE BY SIDE LINE UP WITH UPS.
 - THIS DRAWING IS TO BE USED FOR ELECTRICAL PURPOSES ONLY AND DOES NOT REPRESENT THE ACTUAL MECHANICAL LAYOUT OF THE EQUIPMENT.

- KIRK KEY NOTES:
- THE "E" OR "W" NEXT TO THE INTERLOCK INDICATES THE POSITION OF THE INTERLOCK BOLT WHEN THE KEY IS REMOVABLE. "E" = EXTENDED AND "W" = WITHDRAWN.
 - THE KEY OR KEYS NEXT TO THE INTERLOCK INDICATES THE KEY NUMBER THAT FUNCTIONS WITH THE INTERLOCK.

**MAINTENANCE BYPASS CABINET WITH XFRMR FOR TLE SERIES UPS
200KVA-225KVA 3 BREAKER BYPASS
480D-208Y/120V OUTPUT TRANSFORMER**

THE INFORMATION CONTAINED IN THIS DRAWING IS THE SOLE PROPERTY OF C&C POWER, INC. ANY REPRODUCTION WITHOUT THE WRITTEN CONSENT OF C&C POWER, INC IS PROHIBITED.

DIMENSIONS ARE IN INCHES		INITIALS	DATE
TOLERANCES:		DRAWN	TD
DECIMALS: .XX ±.13	ANGLES: ±1°	CHECKED	CH
.XXX ±.082			9/5/2019
SCALE: NTS	SIZE: A	REV: 2	SHEET 2 OF 2



Electrifications Product Group
EP Industrial Solutions Division
Manufactured by C&C Power for ABB

DRAWING #: 9839-F-200KVA-225KVA-480D-208Y-120V-C2-SD01-2 REV 2