

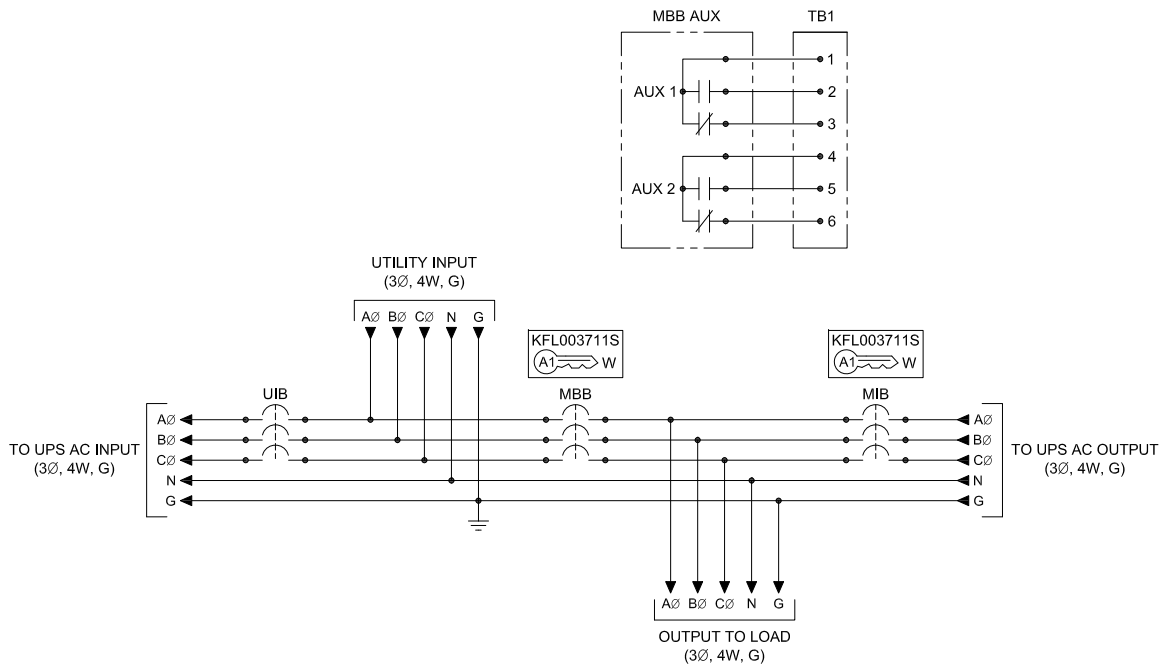
NOTES:

1. APPROXIMATE WEIGHT: 100 LBS.
2. ASSEMBLY IS UL/CUL LISTED TO UL 891 AND C22.2 NO. 244.
3. NEMA 1 WALL MOUNT ENCLOSURE.
4. THE BOX & TRIM ARE CONSTRUCTED OF GALVANIZED STEEL.
5. THE TRIM FINISH IS POWDER COATED ON ALL EXTERNAL AND VISIBLE SURFACES, BOX AND ALL INTERNAL MOUNT BRACKETS ARE GALVANIZED FINISH
6. THE CABINET IS TO BE MOUNTED THROUGH THE Ø0.375" HOLES IN THE BACK OF THE ENCLOSURE.

WALL MOUNT MAINTENANCE BYPASS BREAKER PANEL			
10-100KVA, 277V/480V, 3Ø/4W/G, 3 BREAKER			
INTERLOCK CONFIGURATION 2			
THE INFORMATION CONTAINED IN THIS DRAWING IS THE SOLE PROPERTY OF C&C POWER, INC. ANY REPRODUCTION WITHOUT THE WRITTEN CONSENT OF C&C POWER, INC IS PROHIBITED.			
DIMENSIONS ARE IN INCHES		INITIALS	DATE
TOLERANCES:		DRAWN CH	4/22/2019
DECIMALS: .XX ±.13	ANGLES: ±1°	CHECKED CH	4/22/2019
XXX ±.082			
SCALE: NTS	SHEET: A	REV: 3	SHEET 1 OF 2



Electrification Product Group
EP Industrial Solutions Division
Manufactured by C&C Power for ABB



NOTES:

- "UIB" UPS INPUT BREAKER
- "MBB" MAINTENANCE BYPASS BREAKER
- "MIB" MAINTENANCE ISOLATION BREAKER
- ALL INTERNAL ELECTRICAL CONNECTIONS BETWEEN "UIB", "MBB" AND "MIB" ARE MADE USING COPPER BUS BARS.
- 600A RATED NEUTRAL BUS PROVIDED WITH MECHANICAL LUGS THAT ACCEPT A TOTAL OF (4) #6 - 350 MCM CABLES.
- GROUND LUG ACCEPTS (3) #6 - 350 MCM CABLES.
- MECHANICAL LUGS USED FOR THE UTILITY INPUT & THE OUTPUT TO LOAD HAVE THE SAME WIRE RANGE AS THE CIRCUIT BREAKERS.
- THIS DRAWING IS TO BE USED FOR ELECTRICAL PURPOSES ONLY AND DOES NOT REPRESENT THE ACTUAL MECHANICAL LAYOUT OF THE EQUIPMENT.

KIRK KEY NOTES:

- THE "E" OR "W" NEXT TO THE INTERLOCK INDICATES THE POSITION OF THE INTERLOCK BOLT WHEN THE KEY IS REMOVABLE. "E" = EXTENDED AND "W" = WITHDRAWN.
- THE KEY OR KEYS NEXT TO THE INTERLOCK INDICATES THE KEY NUMBER THAT FUNCTIONS WITH THE INTERLOCK.

CIRCUIT BREAKER SUMMARY

UPS SERIES	KVA	AIC	BREAKER MODEL	LOCATION	TRIP	WIRE RANGE
SG	10	14K @ 480VAC	EHD3025	UIB	25A	(1) 14 - 1/0
			EHD3015	MBB & MIB	15A	
	65K @ 480VAC	HFD3025	UIB	25A		
		HFD3015	MBB & MIB	15A		
	20	14K @ 480VAC	EHD3050	UIB	50A	(1) 14 - 1/0
			EHD3030	MBB & MIB	30A	
65K @ 480VAC		HFD3050	UIB	50A		
		HFD3030	MBB & MIB	30A		
30	14K @ 480VAC	EHD3070	UIB	70A	(1) 14 - 1/0	
		EHD3050	MBB & MIB	50A		
	65K @ 480VAC	HFD3070	UIB	70A		
		HFD3050	MBB & MIB	50A		
40	14K @ 480VAC	EHD3080	UIB	80A	(1) 14 - 1/0	
		EHD3060	MBB & MIB	60A		
	65K @ 480VAC	HFD3080	UIB	80A		
		HFD3060	MBB & MIB	60A		
50	14K @ 480VAC	FDB3125	UIB	125A	(1) 4 - 4/0	
		EHD3080	MBB & MIB	80A		
	65K @ 480VAC	HFD3125	UIB	125A		
		HFD3080	MBB & MIB	80A		
80	35K @ 480VAC	FD3175	UIB	175A	(1) 4 - 4/0	
		FD3125	MBB & MIB	125A		
	65K @ 480VAC	HFD3175	UIB	175A		
		HFD3125	MBB & MIB	125A		
100	35K @ 480VAC	FD3200	UIB	200A	(1) 4 - 4/0	
		FD3150	MBB & MIB	150A		
	65K @ 480VAC	HFD3200	UIB	200A		
		HFD3150	MBB & MIB	150A		
TLE	40	14K @ 480VAC	EHD3080	UIB	80A	(1) 14 - 1/0
			EHD3060	MBB & MIB	60A	
	65K @ 480VAC	HFD3080	UIB	80A		
		HFD3060	MBB & MIB	60A		
50	14K @ 480VAC	EHD3090	MBB, MIB, & UIB	90A	(1) 14 - 1/0	
	65K @ 480VAC	HFD3090	MBB, MIB, & UIB	90A		
80 & 100	35K @ 480VAC	FD3175	MBB, MIB, & UIB	175A	(1) 4 - 4/0	
	65K @ 480VAC	HFD3175	MBB, MIB, & UIB	175A		

WALL MOUNT MAINTENANCE BYPASS BREAKER PANEL

10-100KVA, 277V/480V, 3Ø/4W/G, 3 BREAKER

INTERLOCK CONFIGURATION 2

THE INFORMATION CONTAINED IN THIS DRAWING IS THE SOLE PROPERTY OF C&C POWER, INC. ANY REPRODUCTION WITHOUT THE WRITTEN CONSENT OF C&C POWER, INC IS PROHIBITED.

DIMENSIONS ARE IN INCHES		INITIALS	DATE
TOLERANCES:		DRAWN	CH
DECIMALS: .XX ±.13	ANGLES: ±1"	CHECKED	CH
.XXX ±.082			
SCALE: SEE A	REV: 3	SHEET 2 OF 2	



Electrification Product Group
EP Industrial Solutions Division
Manufactured by C&C Power for ABB