

NOTES:

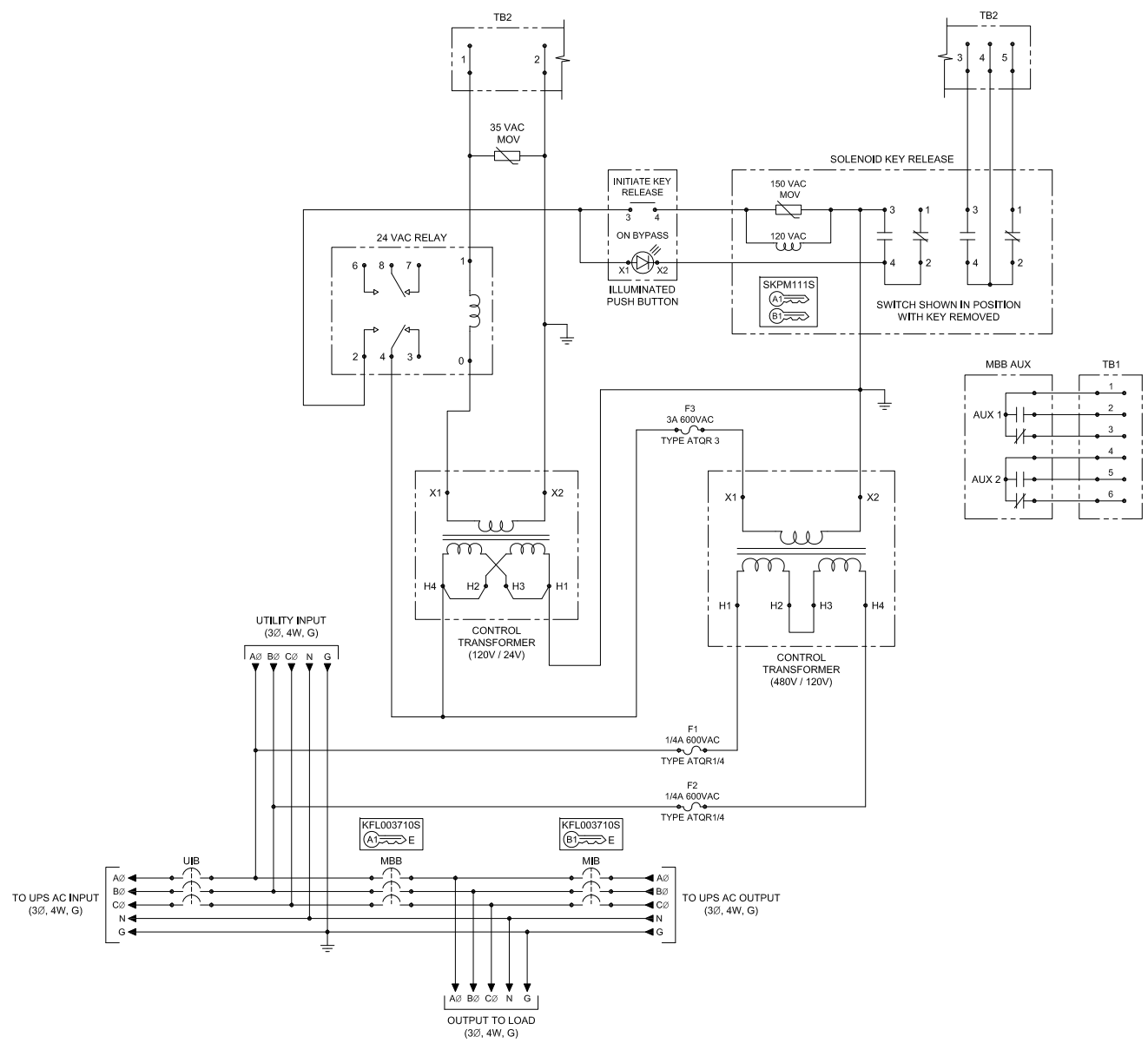
1. APPROXIMATE WEIGHT: 100 LBS.
2. ASSEMBLY IS UL/CUL LISTED TO UL 891 AND C22.2 NO. 244.
3. NEMA 1 WALL MOUNT ENCLOSURE.
4. THE BOX & TRIM ARE CONSTRUCTED OF GALVANIZED STEEL.
5. THE TRIM FINISH IS POWDER COATED ON ALL EXTERNAL AND VISIBLE SURFACES, BOX AND ALL INTERNAL MOUNT BRACKETS ARE GALVANIZED FINISH
6. THE CABINET IS TO BE MOUNTED THROUGH THE Ø0.375" HOLES IN THE BACK OF THE ENCLOSURE.

WALL MOUNT MAINTENANCE BYPASS BREAKER PANEL			
10-100KVA, 277V/480V, 3Ø/4W/G, 3 BREAKER WITH SKRU			
INTERLOCK CONFIGURATION 12			
THE INFORMATION CONTAINED IN THIS DRAWING IS THE SOLE PROPERTY OF C&C POWER, INC. ANY REPRODUCTION WITHOUT THE WRITTEN CONSENT OF C&C POWER, INC IS PROHIBITED.			
DIMENSIONS ARE IN INCHES		INITIALS	DATE
TOLERANCES:		DRAWN CH	4/22/2019
DECIMALS: .XX ±.13	ANGLES: ±1°	CHECKED CH	4/22/2019
.XXX ±.082			
SCALE: NTS	SHEET: A	REV: 5	SHEET 1 OF 2
			©2019 C&C POWER, INC. ALL RIGHTS RESERVED



Electrifications Product Group
EP Industrial Solutions Division
Manufactured by C&C Power for ABB

DRAWING # 99830-EC-12-SD01-2 REV 7



CIRCUIT BREAKER SUMMARY						
UPS SERIES	KVA	AIC	BREAKER MODEL	LOCATION	TRIP	WIRE RANGE
SG	10	14K @ 480VAC	EHD3025	UIB	25A	(1) 14 - 1/0
		65K @ 480VAC	EHD3015	MBB & MIB	15A	
	20	14K @ 480VAC	HFD3025	UIB	25A	(1) 14 - 1/0
		65K @ 480VAC	HFD3015	MBB & MIB	15A	
	30	14K @ 480VAC	EHD3050	UIB	50A	(1) 14 - 1/0
		65K @ 480VAC	EHD3030	MBB & MIB	30A	
40	14K @ 480VAC	HFD3050	UIB	50A	(1) 14 - 1/0	
	65K @ 480VAC	HFD3030	MBB & MIB	30A		
TLE	40	14K @ 480VAC	EHD3080	UIB	80A	(1) 14 - 1/0
		65K @ 480VAC	EHD3060	MBB & MIB	60A	
	50	14K @ 480VAC	HFD3080	UIB	80A	(1) 4 - 4/0
		65K @ 480VAC	HFD3060	MBB & MIB	60A	
	80	35K @ 480VAC	FD3175	UIB	175A	(1) 4 - 4/0
		65K @ 480VAC	FD3125	MBB & MIB	125A	
100	35K @ 480VAC	HFD3175	UIB	175A	(1) 4 - 4/0	
	65K @ 480VAC	HFD3125	MBB & MIB	125A		
TLE	40	14K @ 480VAC	FD3200	UIB	200A	(1) 4 - 4/0
		65K @ 480VAC	FD3150	MBB & MIB	150A	
	50	14K @ 480VAC	HFD3200	UIB	200A	(1) 14 - 1/0
		65K @ 480VAC	HFD3150	MBB, MIB, & UIB	90A	
	80 & 100	35K @ 480VAC	EHD3090	MBB, MIB, & UIB	90A	(1) 14 - 1/0
		65K @ 480VAC	HFD3175	MBB, MIB, & UIB	175A	
80 & 100	35K @ 480VAC	EHD3080	UIB	80A	(1) 4 - 4/0	
	65K @ 480VAC	HFD3175	MBB, MIB, & UIB	175A		

- NOTES:**
- "UIB" UPS INPUT BREAKER
 - "MBB" MAINTENANCE BYPASS BREAKER
 - "MIB" MAINTENANCE ISOLATION BREAKER
 - ALL INTERNAL ELECTRICAL CONNECTIONS BETWEEN "UIB", "MBB" AND "MIB" ARE MADE USING COPPER BUS BARS.
 - 600A RATED NEUTRAL BUS PROVIDED WITH MECHANICAL LUGS THAT ACCEPT A TOTAL OF (4) #6 - 350 MCM CABLES.
 - GROUND LUG ACCEPTS (3) #6 - 350 MCM CABLES.
 - MECHANICAL LUGS USED FOR THE UTILITY INPUT & THE OUTPUT TO LOAD HAVE THE SAME WIRE RANGE AS THE CIRCUIT BREAKERS.
 - VOLTAGE BETWEEN THE AØ AND BØ MUST BE 480V±10% FOR THE SKRU CIRCUIT TO FUNCTION PROPERLY.
 - THIS DRAWING IS TO BE USED FOR ELECTRICAL PURPOSES ONLY AND DOES NOT REPRESENT THE ACTUAL MECHANICAL LAYOUT OF THE EQUIPMENT.
- KIRK KEY NOTES:**
- THE "E" OR "W" NEXT TO THE INTERLOCK INDICATES THE POSITION OF THE INTERLOCK BOLT WHEN THE KEY IS REMOVABLE. "E" = EXTENDED AND "W" = WITHDRAWN.
 - THE KEY OR KEYS NEXT TO THE INTERLOCK INDICATES THE KEY NUMBER THAT FUNCTIONS WITH THE INTERLOCK.

WALL MOUNT MAINTENANCE BYPASS BREAKER PANEL
10-100KVA, 277V/480V, 3Ø/4W/G, 3 BREAKER WITH SKRU
INTERLOCK CONFIGURATION 12

THE INFORMATION CONTAINED IN THIS DRAWING IS THE SOLE PROPERTY OF C&C POWER, INC. ANY REPRODUCTION WITHOUT THE WRITTEN CONSENT OF C&C POWER, INC IS PROHIBITED.

DIMENSIONS ARE IN INCHES	INITIALS	DATE
TOLERANCES:	DRAWN CH	4/22/2019
DECIMALS: .XX ±.13	CHECKED CH	4/22/2019
ANGLES: .XXX ±.082		

SCALE: SEE A REV: 7 SHEET 2 OF 2

ABB
 Electrification Product Group
 EP Industrial Solutions Division
 Manufactured by C&C Power for ABB

©2019 C&C POWER, INC. ALL RIGHTS RESERVED