
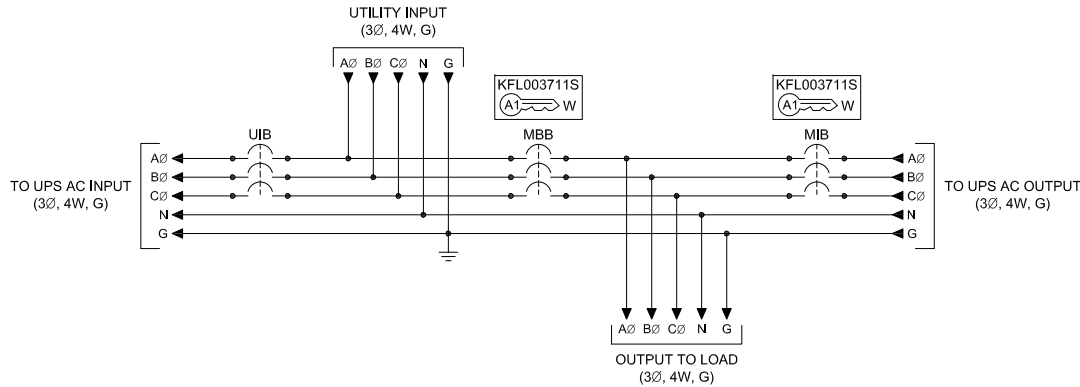
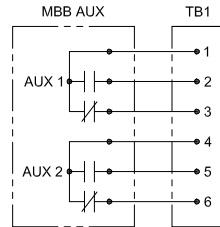


NOTES:

- APPROXIMATE WEIGHT:
MODELS RATED 250-600A: 250 LBS.
MODELS RATED 700-1200A: 400 LBS.
- ASSEMBLY IS UL/CUL LISTED TO UL 891 AND C22.2 NO. 244.
- NEMA 1 WALL MOUNT ENCLOSURE.
- THE BOX AND TRIM ARE CONSTRUCTED OF GALVANIZED STEEL.
- THE TRIM FINISH IS POWDER COATED ON ALL EXTERNAL AND VISIBLE SURFACES, BOX AND ALL INTERNAL MOUNT BRACKETS ARE GALVANIZED FINISH.
- THE CABINET IS TO BE MOUNTED THROUGH Ø0.531" HOLES IN THE BACK OF THE ENCLOSURE.

WALL MOUNT MAINTENANCE BYPASS BREAKER PANEL			
225-750KVA, 277V/480V, 3Ø/4W/G, 3 BREAKER			
INTERLOCK CONFIGURATION 2			
THE INFORMATION CONTAINED IN THIS DRAWING IS THE SOLE PROPERTY OF C&C POWER, INC. ANY REPRODUCTION WITHOUT THE WRITTEN CONSENT OF C&C POWER, INC IS PROHIBITED.			
DIMENSIONS ARE IN INCHES		INITIALS	DATE
TOLERANCES:		DRAWN	CH
DECIMALS:	ANGLES:	CHECKED	CH
.XX ±.13	±1°		10/24/2019
.XXX ±.082			10/24/2019
SCALE:	SHEET:	REV:	
NTS	A	3	
SHEET 1 OF 2			
 Electricians Product Group EP Industrial Solutions Division Manufactured by C&C Power for ABB			©2019 C&C POWER, INC. ALL RIGHTS RESERVED

DRAWING # 9882-FC2-480-SD01-1 REV 3



NOTES:

- "UIB" UPS INPUT BREAKER
- "MBB" MAINTENANCE BYPASS BREAKER
- "MIB" MAINTENANCE ISOLATION BREAKER
- ALL INTERNAL ELECTRICAL CONNECTIONS BETWEEN "UIB", "MBB" AND "MIB" ARE MADE USING COPPER BUS BARS.
- 800A RATED NEUTRAL BUS PROVIDED WITH MECHANICAL LUGS THAT ACCEPT A TOTAL OF (9) #6 - 350 MCM CABLES. (FOR SG SERIES 225-400KVA AND TLE SERIES 250-500KVA)
- 1200A RATED NEUTRAL BUS PROVIDED WITH MECHANICAL LUGS THAT ACCEPT A TOTAL OF (12) #2 - 600 MCM CABLES. (FOR SG SERIES 500-750KVA AND TLE SERIES 750KVA)
- GROUND LUG ACCEPTS (3) #6 - 350 MCM CABLES.
- MECHANICAL LUGS USED FOR THE UTILITY INPUT & THE OUTPUT TO LOAD HAVE THE SAME WIRE RANGE AS THE CIRCUIT BREAKERS.
- THIS DRAWING IS TO BE USED FOR ELECTRICAL PURPOSES ONLY AND DOES NOT REPRESENT THE ACTUAL MECHANICAL LAYOUT OF THE EQUIPMENT.

KIRK KEY NOTES:

- THE "E" OR "W" NEXT TO THE INTERLOCK INDICATES THE POSITION OF THE INTERLOCK BOLT WHEN THE KEY IS REMOVABLE. "E" = EXTENDED AND "W" = WITHDRAWN.
- THE KEY OR KEYS NEXT TO THE INTERLOCK INDICATES THE KEY NUMBER THAT FUNCTIONS WITH THE INTERLOCK.

CIRCUIT BREAKER SUMMARY

UPS SERIES	KVA	AIC	BREAKER MODEL	LOCATION	TRIP	WIRE RANGE
SG	225	35K @ 480VAC	LD3450	UIB	450A (TMAG)	(2) 4 - 4/0
			LD3350	MBB & MIB	350A (TMAG)	(1) 4/0 - 600
		65K @ 480VAC	HLD3450	UIB	450A (TMAG)	(2) 4 - 4/0
			HLD3350	MBB & MIB	350A (TMAG)	(1) 4/0 - 600
	300	35K @ 480VAC	LD3600	UIB	600A (TMAG)	(2) 400 - 500
			LD3500	MBB & MIB	500A (TMAG)	(2) 3/0 - 350
		65K @ 480VAC	HLD3600	UIB	600A (TMAG)	(2) 400 - 500
			HLD3500	MBB & MIB	500A (TMAG)	(2) 3/0 - 350
	400	50K @ 480VAC	MDL3800	UIB	800A (TMAG)	(3) 3/0 - 400
			MDL3600	MBB & MIB	600A (TMAG)	(3) 3/0 - 400
		65K @ 480VAC	HMDL3800	UIB	800A (TMAG)	(3) 3/0 - 400
			MMDL3600	MBB & MIB	600A (TMAG)	(3) 3/0 - 400
500	50K @ 480VAC	NGS312033E	UIB	1000A (LS)	(3) 3/0 - 400	
		NGS308033E	MBB & MIB	800A (LS)	(3) 3/0 - 400	
	65K @ 480VAC	NGH312033E	UIB	1000A (LS)	(3) 3/0 - 400	
		NGH308033E	MBB & MIB	800A (LS)	(3) 3/0 - 400	
750	50K @ 480VAC	NGS312033EC	UIB	1200A (LS 100%)	(4) 4/0 - 500	
		NGS312033E	MBB & MIB	1200A (LS)	(4) 4/0 - 500	
	65K @ 480VAC	NGH312033EC	UIB	1200A (LS 100%)	(4) 4/0 - 500	
		NGH312033E	MBB & MIB	1200A (LS)	(4) 4/0 - 500	
TLE	250	35K @ 480VAC	LD3450	UIB	450A (TMAG)	(2) 4 - 4/0
			LD3400	MBB & MIB	400A (TMAG)	(1) 4/0 - 600
		65K @ 480VAC	HLD3450	UIB	450A (TMAG)	(2) 4 - 4/0
			HLD3400	MBB & MIB	400A (TMAG)	(1) 4/0 - 600
	300	35K @ 480VAC	LD3600	UIB	600A (TMAG)	(2) 400 - 500
			LD3500	MBB & MIB	500A (TMAG)	(2) 3/0 - 350
		65K @ 480VAC	HLD3600	UIB	600A (TMAG)	(2) 400 - 500
			HLD3500	MBB & MIB	500A (TMAG)	(2) 3/0 - 350
	400	35K @ 480VAC	CLDB3600FT33W	UIB	600A (LS 100%)	(2) 400 - 500
			LD3600	MBB & MIB	600A (TMAG)	(2) 400 - 500
		65K @ 480VAC	CHLDB3600FT33W	UIB	600A (LS 100%)	(2) 400 - 500
			HLD3600	MBB & MIB	600A (TMAG)	(2) 400 - 500
	500	50K @ 480VAC	CMDLB3800FT33W	UIB	700A (LS 100%)	(2) 1 - 500
			MDLB3800FT33W	MBB & MIB	800A (LS)	(3) 3/0 - 400
		65K @ 480VAC	CHMDLB3800FT33W	UIB	700A (LS 100%)	(2) 1 - 500
			HMDLB3800FT33W	MBB & MIB	800A (LS)	(3) 3/0 - 400
	625	50K @ 480VAC	NGS312033EC	UIB	1000A (LS 100%)	(3) 3/0 - 400
			NGS312033EC	MBB & MIB	800A (LS 100%)	(3) 3/0 - 400
		65K @ 480VAC	NGH312033EC	UIB	1000A (LS 100%)	(3) 3/0 - 400
			NGH312033EC	MBB & MIB	800A (LS 100%)	(3) 3/0 - 400
	750	50K @ 480VAC	NGS312033EC	UIB	1200A (LS 100%)	(4) 4/0 - 500
			NGS312033EC	MBB & MIB	1000A (LS 100%)	(3) 3/0 - 400
		65K @ 480VAC	NGH312033EC	UIB	1200A (LS 100%)	(4) 4/0 - 500
			NGH312033EC	MBB & MIB	1000A (LS 100%)	(3) 3/0 - 400

**WALL MOUNT MAINTENANCE BYPASS BREAKER PANEL
225-750KVA, 277V/480V, 3Ø/4W/G, 3 BREAKER**

INTERLOCK CONFIGURATION 2

THE INFORMATION CONTAINED IN THIS DRAWING IS THE SOLE PROPERTY OF C&C POWER, INC. ANY REPRODUCTION WITHOUT THE WRITTEN CONSENT OF C&C POWER, INC IS PROHIBITED.

DIMENSIONS ARE IN INCHES		INITIALS	DATE
TOLERANCES:		DRAWN	CH
DECIMALS: .XX ±.13	ANGLES: ±1°	CHECKED	CH
.XXX ±.082			10/24/2019

SCALE: SEE A REV: 3 SHEET 2 OF 2



Electrification Product Group
EP Industrial Solutions Division
Manufactured by C&C Power for ABB