


REAR VIEW

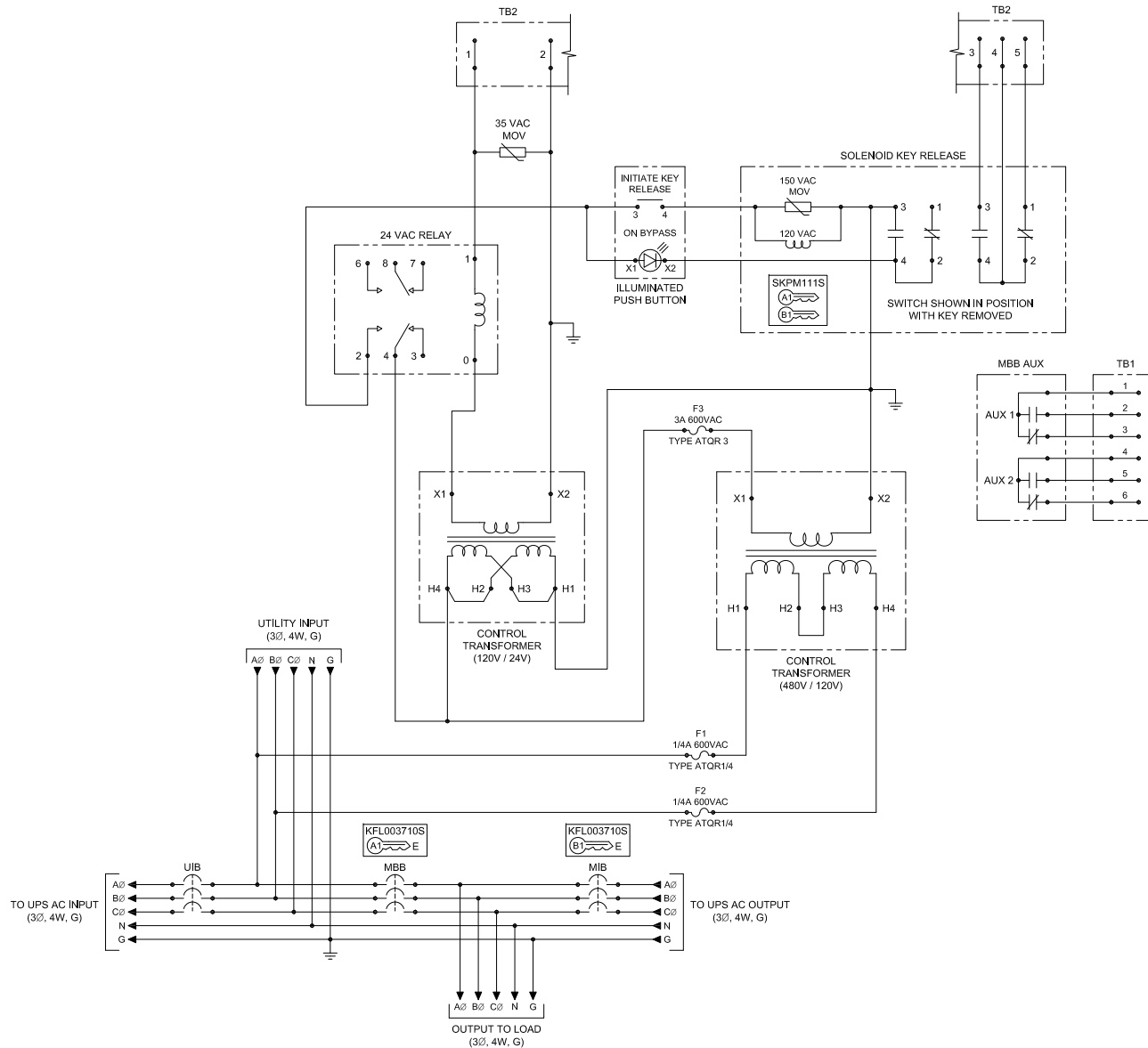
FRONT VIEW
(DOOR REMOVED)

RIGHT SIDE VIEW

- NOTES:
- APPROXIMATE WEIGHT:
 MODELS RATED 250-600A: 250 LBS.
 MODELS RATED 700-1200A: 400 LBS.
 - ASSEMBLY IS UL/CUL LISTED TO UL 891 AND C22.2 NO. 244.
 - NEMA 1 WALL MOUNT ENCLOSURE.
 - THE BOX AND TRIM ARE CONSTRUCTED OF GALVANIZED STEEL.
 - THE TRIM FINISH IS POWDER COATED ON ALL EXTERNAL AND VISIBLE SURFACES, BOX AND ALL INTERNAL MOUNT BRACKETS ARE GALVANIZED FINISH.
 - THE CABINET IS TO BE MOUNTED THROUGH Ø0.531" HOLES IN THE BACK OF THE ENCLOSURE.

WALL MOUNT MAINTENANCE BYPASS BREAKER PANEL 225-750KVA, 277V/480V, 3Ø/4W/G, 3 BREAKER WITH SKRU INTERLOCK CONFIGURATION 12			
<small>THE INFORMATION CONTAINED IN THIS DRAWING IS THE SOLE PROPERTY OF C&C POWER, INC. ANY REPRODUCTION WITHOUT THE WRITTEN CONSENT OF C&C POWER, INC IS PROHIBITED.</small>			
<small>DIMENSIONS ARE IN INCHES</small> <small>TOLERANCES:</small> <small>DECIMALS: .XX ±.13</small> <small>.XXX ±.082</small>	<small>ANGLES:</small> <small>±1°</small>	<small>INITIALS</small> <small>DRAWN CH</small> <small>CHECKED CH</small>	<small>DATE</small> <small>10/25/2019</small> <small>10/25/2019</small>
<small>SCALE: NTS</small> <small>SEE: A</small> <small>REV: 3</small>	SHEET 1 OF 2		 <small>Electrification Product Group EP Industrial Solutions Division Manufactured by C&C Power for ABB</small> <small>©2019 C&C POWER, INC. ALL RIGHTS RESERVED</small>

DRAWING # 9882-FC12-SD01-1 REV 3



- NOTES:**
- "UIB" UPS INPUT BREAKER
 - "MBB" MAINTENANCE BYPASS BREAKER
 - "MIB" MAINTENANCE ISOLATION BREAKER
 - ALL INTERNAL ELECTRICAL CONNECTIONS BETWEEN "UIB", "MBB" AND "MIB" ARE MADE USING COPPER BUS BARS.
 - 800A RATED NEUTRAL BUS PROVIDED WITH MECHANICAL LUGS THAT ACCEPT A TOTAL OF (9) #6 - 350 MCM CABLES. (FOR SG SERIES 225-400KVA AND TLE SERIES 250-500KVA)
 - 1200A RATED NEUTRAL BUS PROVIDED WITH MECHANICAL LUGS THAT ACCEPT A TOTAL OF (12) #2 - 600 MCM CABLES. (FOR SG SERIES 500-750KVA AND TLE SERIES 750KVA)
 - GROUND LUG ACCEPTS (3) #6 - 350 MCM CABLES.
 - MECHANICAL LUGS USED FOR THE UTILITY INPUT & THE OUTPUT TO LOAD HAVE THE SAME WIRE RANGE AS THE CIRCUIT BREAKERS.
 - VOLTAGE BETWEEN THE AØ AND BØ MUST BE 480V±10% FOR THE SKRU CIRCUIT TO FUNCTION PROPERLY.
 - THIS DRAWING IS TO BE USED FOR ELECTRICAL PURPOSES ONLY AND DOES NOT REPRESENT THE ACTUAL MECHANICAL LAYOUT OF THE EQUIPMENT.

KIRK KEY NOTES:

- THE "E" OR "W" NEXT TO THE INTERLOCK INDICATES THE POSITION OF THE INTERLOCK BOLT WHEN THE KEY IS REMOVABLE, "E" = EXTENDED AND "W" = WITHDRAWN.
- THE KEY OR KEYS NEXT TO THE INTERLOCK INDICATES THE KEY NUMBER THAT FUNCTIONS WITH THE INTERLOCK.

CIRCUIT BREAKER SUMMARY						
UPS SERIES	KVA	AIC	BREAKER MODEL	LOCATION	TRIP	WIRE RANGE
SG	225	35K @ 480VAC	LD3450	UIB	450A (TMAG)	(2) 4 - 4/0
			LD3350	MBB & MIB	350A (TMAG)	(1) 4/0 - 600
			HLD3450	UIB	450A (TMAG)	(2) 4 - 4/0
	300	65K @ 480VAC	HLD3350	MBB & MIB	350A (TMAG)	(1) 4/0 - 600
			LD3600	UIB	600A (TMAG)	(2) 400 - 500
			LD3500	MBB & MIB	500A (TMAG)	(2) 3/0 - 350
	400	65K @ 480VAC	HLD3600	UIB	600A (TMAG)	(2) 400 - 500
			HLD3500	MBB & MIB	500A (TMAG)	(2) 3/0 - 350
			MMDL3600	MBB & MIB	600A (TMAG)	(3) 3/0 - 400
	500	65K @ 480VAC	MDL3800	UIB	800A (TMAG)	(3) 3/0 - 400
			MDL3600	MBB & MIB	600A (TMAG)	(3) 3/0 - 400
			HMDL3800	UIB	800A (TMAG)	(3) 3/0 - 400
750	65K @ 480VAC	MMDL3600	MBB & MIB	600A (TMAG)	(3) 3/0 - 400	
		NGS312033E	UIB	1000A (LS)	(3) 3/0 - 400	
		NGS308033E	MBB & MIB	800A (LS)	(3) 3/0 - 400	
750	65K @ 480VAC	NGH312033E	UIB	1000A (LS)	(3) 3/0 - 400	
		NGH308033E	MBB & MIB	800A (LS)	(3) 3/0 - 400	
		NGS312033EC	UIB	1200A (LS 100%)	(4) 4/0 - 500	
750	65K @ 480VAC	NGS312033EC	MBB & MIB	1200A (LS)	(4) 4/0 - 500	
		NGH312033EC	UIB	1200A (LS 100%)	(4) 4/0 - 500	
		NGH312033E	MBB & MIB	1200A (LS)	(4) 4/0 - 500	
TLE	250	35K @ 480VAC	LD3450	UIB	450A (TMAG)	(2) 4 - 4/0
			LD3400	MBB & MIB	400A (TMAG)	(1) 4/0 - 600
			HLD3450	UIB	450A (TMAG)	(2) 4 - 4/0
	300	65K @ 480VAC	HLD3400	MBB & MIB	400A (TMAG)	(1) 4/0 - 600
			LD3600	UIB	600A (TMAG)	(2) 400 - 500
			LD3500	MBB & MIB	500A (TMAG)	(2) 3/0 - 350
	400	65K @ 480VAC	HLD3600	UIB	600A (TMAG)	(2) 400 - 500
			HLD3500	MBB & MIB	500A (TMAG)	(2) 3/0 - 350
			CLDB3600FT33W	UIB	600A (LS 100%)	(2) 400 - 500
	500	65K @ 480VAC	LD3600	MBB & MIB	600A (TMAG)	(2) 400 - 500
			CHLDB3600FT33W	UIB	600A (LS 100%)	(2) 400 - 500
			HLD3600	MBB & MIB	600A (TMAG)	(2) 400 - 500
625	65K @ 480VAC	CMDLB3800FT33W	UIB	700A (LS 100%)	(2) 1 - 500	
		MDLB3800FT33W	MBB & MIB	800A (LS)	(3) 3/0 - 400	
		CHMDLB3800FT33W	UIB	700A (LS 100%)	(2) 1 - 500	
750	65K @ 480VAC	HMDLB3800FT33W	MBB & MIB	800A (LS)	(3) 3/0 - 400	
		NGS312033EC	UIB	1000A (LS 100%)	(3) 3/0 - 400	
		NGH312033EC	MBB & MIB	800A (LS 100%)	(3) 3/0 - 400	
750	65K @ 480VAC	NGS312033EC	UIB	1000A (LS 100%)	(3) 3/0 - 400	
		NGS312033EC	MBB & MIB	1000A (LS 100%)	(3) 3/0 - 400	
		NGH312033EC	UIB	1200A (LS 100%)	(4) 4/0 - 500	
750	65K @ 480VAC	NGS312033EC	MBB & MIB	1000A (LS 100%)	(3) 3/0 - 400	
		NGH312033EC	UIB	1200A (LS 100%)	(4) 4/0 - 500	
		NGH312033EC	MBB & MIB	1000A (LS 100%)	(3) 3/0 - 400	

**WALL MOUNT MAINTENANCE BYPASS BREAKER PANEL
225-750KVA, 277V/480V, 3Ø/4W/G, 3 BREAKER WITH SKRU
INTERLOCK CONFIGURATION 12**

THE INFORMATION CONTAINED IN THIS DRAWING IS THE SOLE PROPERTY OF C&C POWER, INC. ANY REPRODUCTION WITHOUT THE WRITTEN CONSENT OF C&C POWER, INC IS PROHIBITED.

DIMENSIONS ARE IN INCHES		INITIALS	DATE
TOLERANCES:		DRAWN	10/25/2019
DECIMALS: .XX ±.13	ANGLES: ±1°	CH	
.XXX ±.082		CHECKED	10/25/2019
SCALE: SEE A	REV: 3	SHEET 2 OF 2	



Electrification Product Group
EP Industrial Solutions Division
Manufactured by C&C Power for ABB