

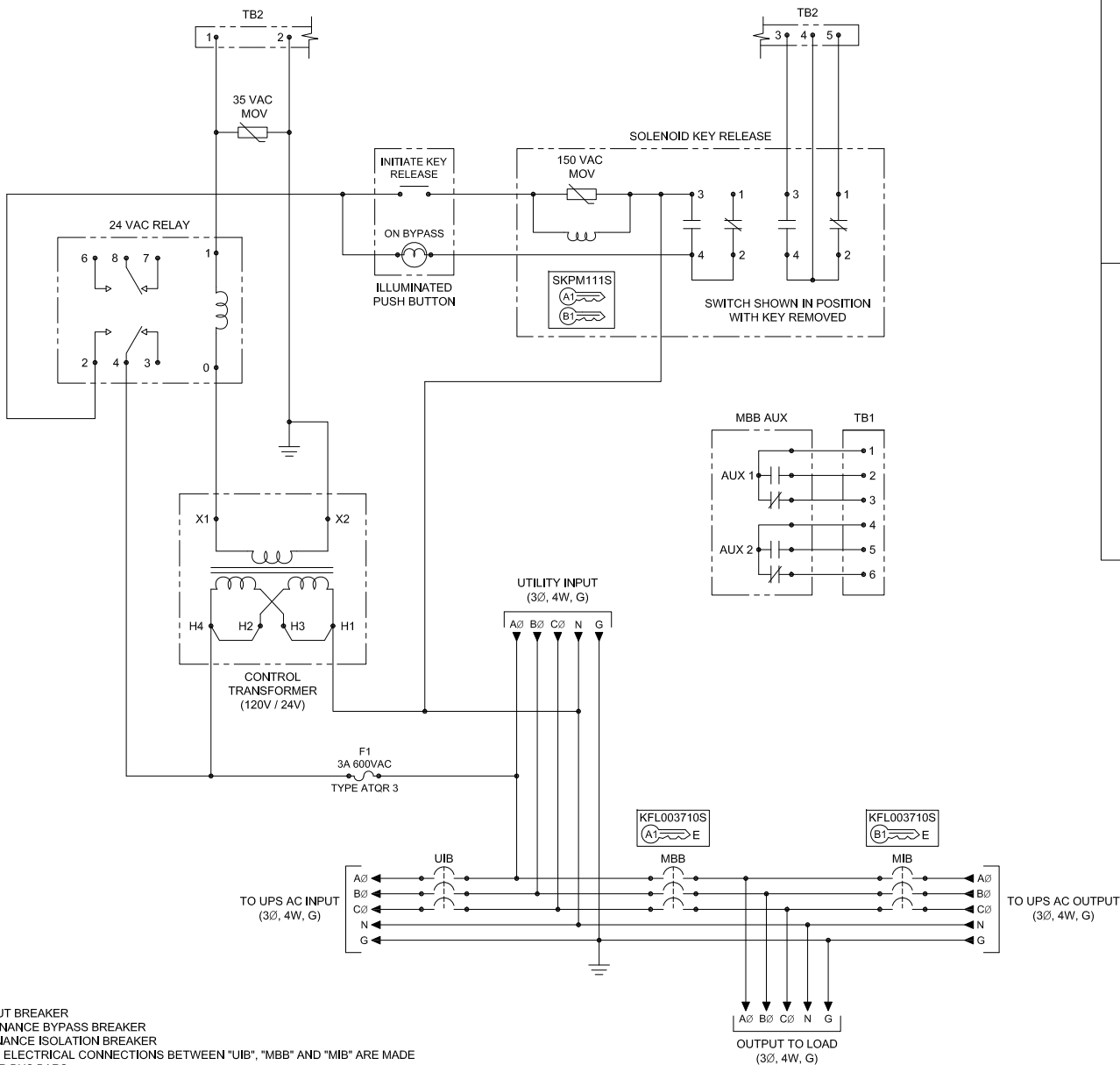
NOTES:

1. APPROXIMATE WEIGHT: 100 LBS.
2. ASSEMBLY IS UL/CUL LISTED TO UL 891 AND C22.2 NO. 244.
3. NEMA 1 WALL MOUNT ENCLOSURE.
4. THE BOX & TRIM ARE CONSTRUCTED OF GALVANIZED STEEL.
5. THE TRIM FINISH IS POWDER COATED ON ALL EXTERNAL AND VISIBLE SURFACES, BOX AND ALL INTERNAL MOUNT BRACKETS ARE GALVANIZED FINISH
6. THE CABINET IS TO BE MOUNTED THROUGH THE Ø0.375" HOLES IN THE BACK OF THE ENCLOSURE.

WALL MOUNT MAINTENANCE BYPASS BREAKER PANEL			
10-60KVA, 120V/208V, 3Ø/4W/G, 3 BREAKER WITH SKRU			
INTERLOCK CONFIGURATION 11			
THE INFORMATION CONTAINED IN THIS DRAWING IS THE SOLE PROPERTY OF C&C POWER, INC. ANY REPRODUCTION WITHOUT THE WRITTEN CONSENT OF C&C POWER, INC IS PROHIBITED.			
DIMENSIONS ARE IN INCHES		INITIALS	DATE
TOLERANCES:		DRAWN CH	4/9/2019
DECIMALS: .XX ±.13	ANGLES: ±1°	CHECKED CH	4/9/2019
.XXX ±.082			
SCALE: NTS	SER: A	REV: 6	SHEET 1 OF 2
			©2019 C&C POWER, INC. ALL RIGHTS RESERVED



Electrification Product Group
EP Industrial Solutions Division
Manufactured by C&C Power for ABB



NOTES:

- "UJB" UPS INPUT BREAKER
- "MBB" MAINTENANCE BYPASS BREAKER
- "MIB" MAINTENANCE ISOLATION BREAKER
- ALL INTERNAL ELECTRICAL CONNECTIONS BETWEEN "UJB", "MBB" AND "MIB" ARE MADE USING COPPER BUS BARS.
- 600A RATED NEUTRAL BUS PROVIDED WITH MECHANICAL LUGS THAT ACCEPT A TOTAL OF (4) #6 - 350 MCM CABLES.
- GROUND LUG ACCEPTS (3) #6 - 350 MCM CABLES.
- MECHANICAL LUGS USED FOR THE UTILITY INPUT & THE OUTPUT TO LOAD HAVE THE SAME WIRE RANGE AS THE CIRCUIT BREAKERS.
- VOLTAGE BETWEEN THE AØ AND NEUTRAL MUST BE 120V±10% FOR THE SKRU CIRCUIT TO FUNCTION PROPERLY.
- THIS DRAWING IS TO BE USED FOR ELECTRICAL PURPOSES ONLY AND DOES NOT REPRESENT THE ACTUAL MECHANICAL LAYOUT OF THE EQUIPMENT.

KIRK KEY NOTES:

- THE "E" OR "W" NEXT TO THE INTERLOCK INDICATES THE POSITION OF THE INTERLOCK BOLT WHEN THE KEY IS REMOVABLE. "E" = EXTENDED AND "W" = WITHDRAWN.
- THE KEY OR KEYS NEXT TO THE INTERLOCK INDICATES THE KEY NUMBER THAT FUNCTIONS WITH THE INTERLOCK.

CIRCUIT BREAKER SUMMARY

UPS SERIES	KVA	AIC	BREAKER MODEL	LOCATION	TRIP	WIRE RANGE
LP33	15	18K @ 240VAC	EHD3060	MBB, MIB, & UJB	60A	(1) 14 - 1/0
		65K @ 240VAC	ED3060			
	20	18K @ 240VAC	EHD3080	MBB, MIB, & UJB	80A	(1) 14 - 1/0
		65K @ 240VAC	FD3080			
	30	22K @ 240VAC	EDB3125	MBB, MIB, & UJB	125A	(1) 4 - 4/0
		65K @ 240VAC	ED3125			
40	22K @ 240VAC	EDB3150	MBB, MIB, & UJB	150A	(1) 4 - 4/0	
	65K @ 240VAC	ED3150				
50	22K @ 240VAC	EDB3200	MBB, MIB, & UJB	200A	(1) 4 - 4/0	
	65K @ 240VAC	ED3200				
60	22K @ 240VAC	EDB3225	MBB, MIB, & UJB	225A	(1) 4 - 4/0	
	65K @ 240VAC	ED3225				
TME	15	18K @ 240VAC	EHD3070	UIB	70A	(1) 14 - 1/0
			EHD3060	MBB & MIB	60A	
		65K @ 240VAC	FD3070	UIB	70A	
	30	22K @ 240VAC	EDB3150	UIB	150A	(1) 4 - 4/0
			EDB3110	MBB & MIB	110A	
		65K @ 240VAC	ED3150	UIB	150A	
	45	22K @ 240VAC	EDB3110	MBB & MIB	110A	(1) 4 - 4/0
			ED3110	MBB & MIB	110A	
		65K @ 240VAC	ED3110	MBB & MIB	110A	
	45	22K @ 240VAC	EDB3200	UIB	200A	(1) 4 - 4/0
			EDB3175	MBB & MIB	175A	
		65K @ 240VAC	ED3200	UIB	200A	
		ED3175	MBB & MIB	175A		

**WALL MOUNT MAINTENANCE BYPASS BREAKER PANEL
10-50KVA, 120V/208V, 3Ø/4W/G, 3 BREAKER WITH SKRU**

INTERLOCK CONFIGURATION 11

THE INFORMATION CONTAINED IN THIS DRAWING IS THE SOLE PROPERTY OF C&C POWER, INC. ANY REPRODUCTION WITHOUT THE WRITTEN CONSENT OF C&C POWER, INC IS PROHIBITED.

DIMENSIONS ARE IN INCHES	INITIALS	DATE
TOLERANCES:	DRAWN CH	4/9/2019
DECIMALS: .XX ±.13	CHECKED CH	4/9/2019
ANGLES: ±1°		
SCALE: SEE A		
NTS	REV: 9	SHEET 2 OF 2



Electrifications Product Group
EP Industrial Solutions Division
Manufactured by C&C Power for ABB