
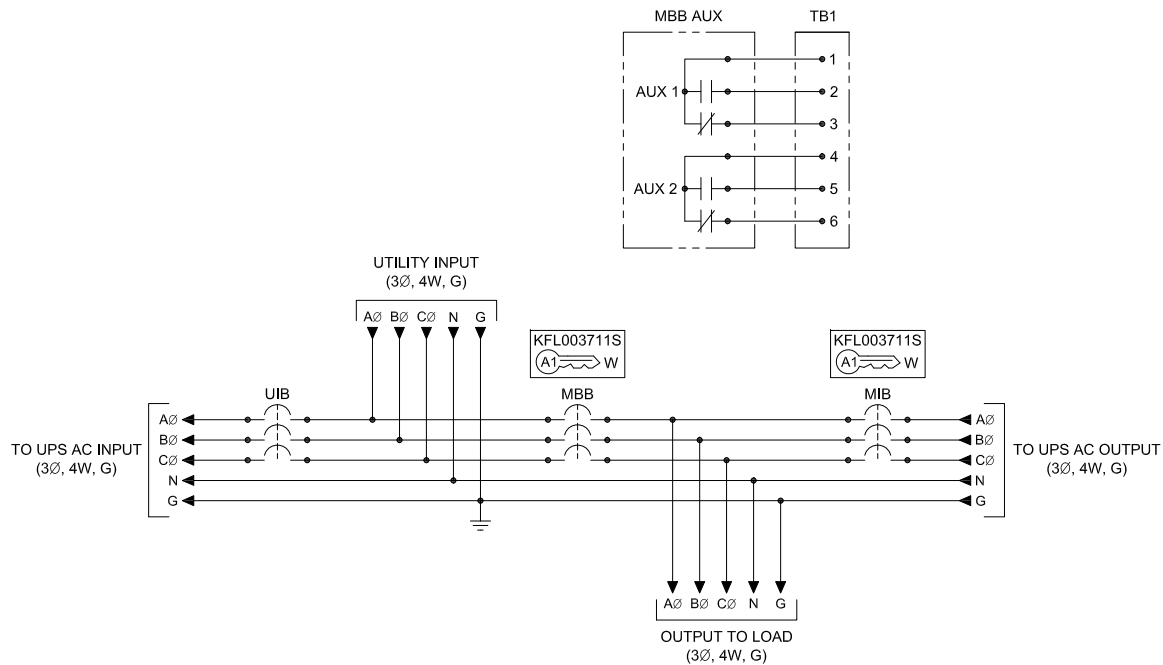


NOTES:

1. APPROXIMATE WEIGHT: 100 LBS.
2. ASSEMBLY IS UL/CUL LISTED TO UL 891 AND C22.2 NO. 244.
3. NEMA 1 WALL MOUNT ENCLOSURE.
4. THE BOX & TRIM ARE CONSTRUCTED OF GALVANIZED STEEL.
5. THE TRIM FINISH IS POWDER COATED ON ALL EXTERNAL AND VISIBLE SURFACES, BOX AND ALL INTERNAL MOUNT BRACKETS ARE GALVANIZED FINISH
6. THE CABINET IS TO BE MOUNTED THROUGH THE Ø0.375" HOLES IN THE BACK OF THE ENCLOSURE.

| | | | |
|--------------------------------------------------------------------------------------------------------------------------------------------------------------------------------------------------|---------|----------|-------------------------------------------|
| WALL MOUNT MAINTENANCE BYPASS BREAKER PANEL | | | |
| 10-60KVA, 120V/208V, 3Ø/4W/G, 3 BREAKER | | | |
| INTERLOCK CONFIGURATION 2 | | | |
| THE INFORMATION CONTAINED IN THIS DRAWING IS THE SOLE PROPERTY OF C&C POWER, INC. ANY REPRODUCTION WITHOUT THE WRITTEN CONSENT OF C&C POWER, INC IS PROHIBITED. | | | |
| DIMENSIONS ARE IN INCHES | | INITIALS | DATE |
| TOLERANCES: | | DRAWN | CH |
| DECIMALS: | ANGLES: | CHECKED | CH |
| .XX ±.13 | ±1° | | 4/9/2019 |
| .XXX ±.082 | | | 4/9/2019 |
| SCALE: | SHEET: | REV: | |
| NTS | A | 6 | |
| SHEET 1 OF 2 | | | |
|  Electrifications Product Group EP Industrial Solutions Division Manufactured by C&C Power for ABB | | | ©2019 C&C POWER, INC. ALL RIGHTS RESERVED |



NOTES:

- "UIB" UPS INPUT BREAKER
- "MBB" MAINTENANCE BYPASS BREAKER
- "MIB" MAINTENANCE ISOLATION BREAKER
- ALL INTERNAL ELECTRICAL CONNECTIONS BETWEEN "UIB", "MBB" AND "MIB" ARE MADE USING COPPER BUS BARS.
- 600A RATED NEUTRAL BUS PROVIDED WITH MECHANICAL LUGS THAT ACCEPT A TOTAL OF (4) #6 - 350 MCM CABLES.
- GROUND LUG ACCEPTS (3) #6 - 350 MCM CABLES.
- MECHANICAL LUGS USED FOR THE UTILITY INPUT & THE OUTPUT TO LOAD HAVE THE SAME WIRE RANGE AS THE CIRCUIT BREAKERS.
- THIS DRAWING IS TO BE USED FOR ELECTRICAL PURPOSES ONLY AND DOES NOT REPRESENT THE ACTUAL MECHANICAL LAYOUT OF THE EQUIPMENT.

KIRK KEY NOTES:

- THE "E" OR "W" NEXT TO THE INTERLOCK INDICATES THE POSITION OF THE INTERLOCK BOLT WHEN THE KEY IS REMOVABLE. "E" = EXTENDED AND "W" = WITHDRAWN.
- THE KEY OR KEYS NEXT TO THE INTERLOCK INDICATES THE KEY NUMBER THAT FUNCTIONS WITH THE INTERLOCK.

CIRCUIT BREAKER SUMMARY

| UPS SERIES | KVA | AIC | BREAKER MODEL | LOCATION | TRIP | WIRE RANGE |
|------------|-----|--------------|---------------|-----------------|------|--------------|
| LP33 | 15 | 18K @ 240VAC | EHD3060 | MBB, MIB, & UIB | 60A | (1) 14 - 1/0 |
| | | 65K @ 240VAC | ED3060 | | | |
| | 20 | 18K @ 240VAC | EHD3080 | MBB, MIB, & UIB | 80A | (1) 14 - 1/0 |
| | | 65K @ 240VAC | FD3080 | | | |
| | 30 | 22K @ 240VAC | EDB3125 | MBB, MIB, & UIB | 125A | (1) 4 - 4/0 |
| | | 65K @ 240VAC | ED3125 | | | |
| | 40 | 22K @ 240VAC | EDB3150 | MBB, MIB, & UIB | 150A | (1) 4 - 4/0 |
| | | 65K @ 240VAC | ED3150 | | | |
| | 50 | 22K @ 240VAC | EDB3200 | MBB, MIB, & UIB | 200A | (1) 4 - 4/0 |
| | | 65K @ 240VAC | ED3200 | | | |
| | 60 | 22K @ 240VAC | EDB3225 | MBB, MIB, & UIB | 225A | (1) 4 - 4/0 |
| | | 65K @ 240VAC | ED3225 | | | |
| TME | 15 | 18K @ 240VAC | EHD3070 | UIB | 70A | (1) 14 - 1/0 |
| | | | EHD3060 | MBB & MIB | 60A | |
| | | 65K @ 240VAC | FD3070 | UIB | 70A | |
| | | | ED3060 | MBB & MIB | 60A | |
| | 30 | 22K @ 240VAC | EDB3150 | UIB | 150A | (1) 4 - 4/0 |
| | | | EDB3110 | MBB & MIB | 110A | |
| | | 65K @ 240VAC | ED3150 | UIB | 150A | |
| | | | ED3110 | MBB & MIB | 110A | |
| | 45 | 22K @ 240VAC | EDB3200 | UIB | 200A | (1) 4 - 4/0 |
| | | | EDB3175 | MBB & MIB | 175A | |
| | | 65K @ 240VAC | ED3200 | UIB | 200A | |
| | | | ED3175 | MBB & MIB | 175A | |

**WALL MOUNT MAINTENANCE BYPASS BREAKER PANEL
10-60KVA, 120V/208V, 3Ø/4W/G, 3 BREAKER**

INTERLOCK CONFIGURATION 2

THE INFORMATION CONTAINED IN THIS DRAWING IS THE SOLE PROPERTY OF C&C POWER, INC. ANY REPRODUCTION WITHOUT THE WRITTEN CONSENT OF C&C POWER, INC IS PROHIBITED.

| | | | |
|--------------------------|-------------|----------|----------|
| DIMENSIONS ARE IN INCHES | | INITIALS | DATE |
| TOLERANCES: | | DRAWN | 4/9/2019 |
| DECIMALS: .XX ±.13 | ANGLES: ±1° | CH | |
| .XXX ±.082 | | CHECKED | 4/9/2019 |
| CH | | | |

SCALE: SEE: A REV: 9 SHEET 2 OF 2



Electrification's Product Group
EP Industrial Solutions Division
Manufactured by C&C Power for ABB